



TRAILFINDER 2

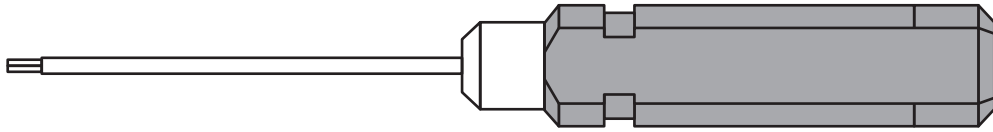
1/10 SCALE OFFROAD TRUCK KIT WITH HARD BODY



OFFICIAL
LICENSED PRODUCT



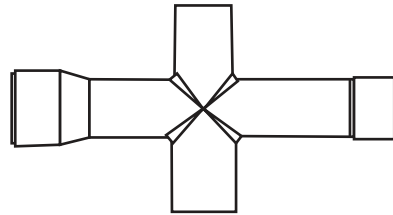
Recommended Tools



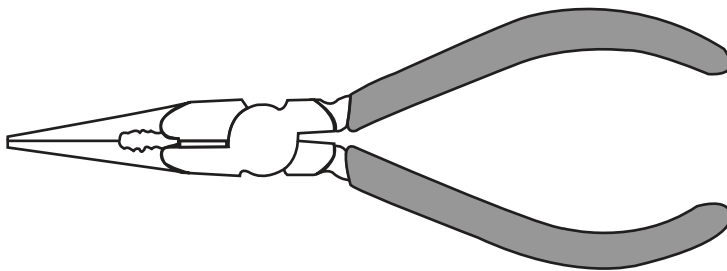
Hex Drivers (1.5mm, 2mm, 2.5mm)



Thread Lock



Cross Wrench



Long Nose Pliers

Tips for Assembly

Use good quality hex drivers to avoid stripping screw heads.

Use thread lock when putting metal screws into metal parts.

Note: Steps marked with an asterisk (*) require thread lock.

Use thread lock sparingly.

Do not over tighten screws otherwise you may strip the thread.



Warranty

RC4WD non-electrical products are warranted to be free of defects in materials and workmanship when new. Our limited warranty does not cover damages due to normal wear and tear, user error of assembly or installation, user modifications, user's failure to perform routine maintenance, addition of aftermarket parts or option parts. This warranty lasts 30 days after arrival for original purchaser.

In the event of a defect under this warranty, RC4WD will, at our discretion, replace the product, provided our inspection indicates that an original defect exists. RC4WD reserves the right to replace any product which is no longer available with a product of comparable value and function. If RC4WD determines the repair is not covered under warranty guidelines, we will contact you to discuss your options. If you have any questions, please contact us via email at support@rc4wd.com.

RC4WD warrants its electronics for 30 days from date of arrival. This covers all electrical items except items that are already noted on the individual product page.

Los productos no eléctricos RC4WD están garantizados como libres de defectos en materiales y mano de obra cuando son nuevos. Nuestra garantía limitada no cubre los daños debidos al desgaste normal, a errores de montaje o instalación por parte del usuario, a modificaciones del usuario, a la falta de mantenimiento rutinario por parte del usuario, a la adición de piezas de recambio o a piezas opcionales. Esta garantía dura 30 días después de la fecha de entrega para el comprador original.

En el caso de un defecto bajo esta garantía, RC4WD, a nuestra discreción, reemplazará el producto, siempre que nuestra inspección indique que existe un defecto original. RC4WD se reserva el derecho de sustituir cualquier producto que ya no esté disponible por otro de valor y función comparables. Si RC4WD determina que la reparación no está cubierta por la garantía, nos pondremos en contacto con usted para discutir sus opciones. Si tiene alguna pregunta, por favor contáctenos por correo electrónico a support@rc4wd.com.

RC4WD garantiza su electrónica por 30 días a partir de la fecha de entrega. Esto cubre todos los artículos eléctricos, excepto los que ya están anotados en la página del producto individual.

Les produits non électriques RC4WD sont garantis comme étant exempts de défauts de matériaux et de fabrication lorsqu'ils sont neufs. La garantie limitée ne couvre pas les dommages dus à l'usure normale, aux erreurs de montage ou d'installation de l'utilisateur, aux modifications apportées par l'utilisateur, au défaut d'entretien courant de l'utilisateur, à l'ajout de pièces de rechange ou de pièces optionnelles. Cette garantie dure 30 jours à compter de la date d'arrivée de l'acheteur initial.

En cas de défaut au titre de cette garantie, RC4WD remplacera, à notre discrétion, le produit, à condition que notre inspection indique qu'il s'agit d'un défaut d'origine. RC4WD se réserve le droit de remplacer tout produit indisponible par un produit de valeur et de fonction comparables. Si RC4WD détermine que la réparation n'est pas couverte par les directives de garantie, nous vous contacterons pour discuter des possibilités qui s'offrent à vous. Si vous avez des questions, veuillez nous contacter par courriel à support@rc4wd.com.

RC4WD garantit ses appareils électroniques pendant 30 jours à compter de la date d'arrivée. Cette garantie couvre tous les articles électriques, à l'exception de ceux qui sont déjà mentionnés sur la page de chaque produit.

Alle RC4WD, nicht elektrischen Produkte sind garantiert frei von Materialfehlern durch die Produktion und Verarbeitung. Die Garantie deckt nicht Schäden aufgrund normaler Abnutzung, Benutzerfehler bei der Montage oder Installation, Änderungen durch den Benutzer, unterlassen der routinemäßigen Wartung durch den Benutzer, hinzufügen von Fremdteilen oder Optionsteile. Diese Garantie beträgt 30 Tage nach Kauf und Erhalt der Ware durch den Käufer. Im Falle eines Mangels im Rahmen dieser Garantie, wird RC4WD nach Ermessen und sofern nach einer Kontrolle ein ursprünglicher Defekt vorliegt, das Produkt austauschen.

RC4WD behält sich das Recht vor, Produkte die nicht mehr erhältlich sind, mit einem gleichwertigem Produkt mit vergleichbarer Funktion zu tauschen.

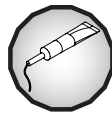
Wenn die Reklamation nicht mehr unter der Garantie fällt, wird Sie RC4WD für weitere Lösungen kontaktieren. Bei Fragen kontaktieren Sie uns bitte per E-Mail unter support@rc4wd.com.



Instruction Manual Symbols Key



Apply Thread Lock



Apply Grease



Glue



Trim with Hobby Knife



CA Glue



Remove



Cut with Scissors



Repeat or Build Multiple



Build Right and Left



Paint



Attention



Build Front and Rear


Tips for Assembly

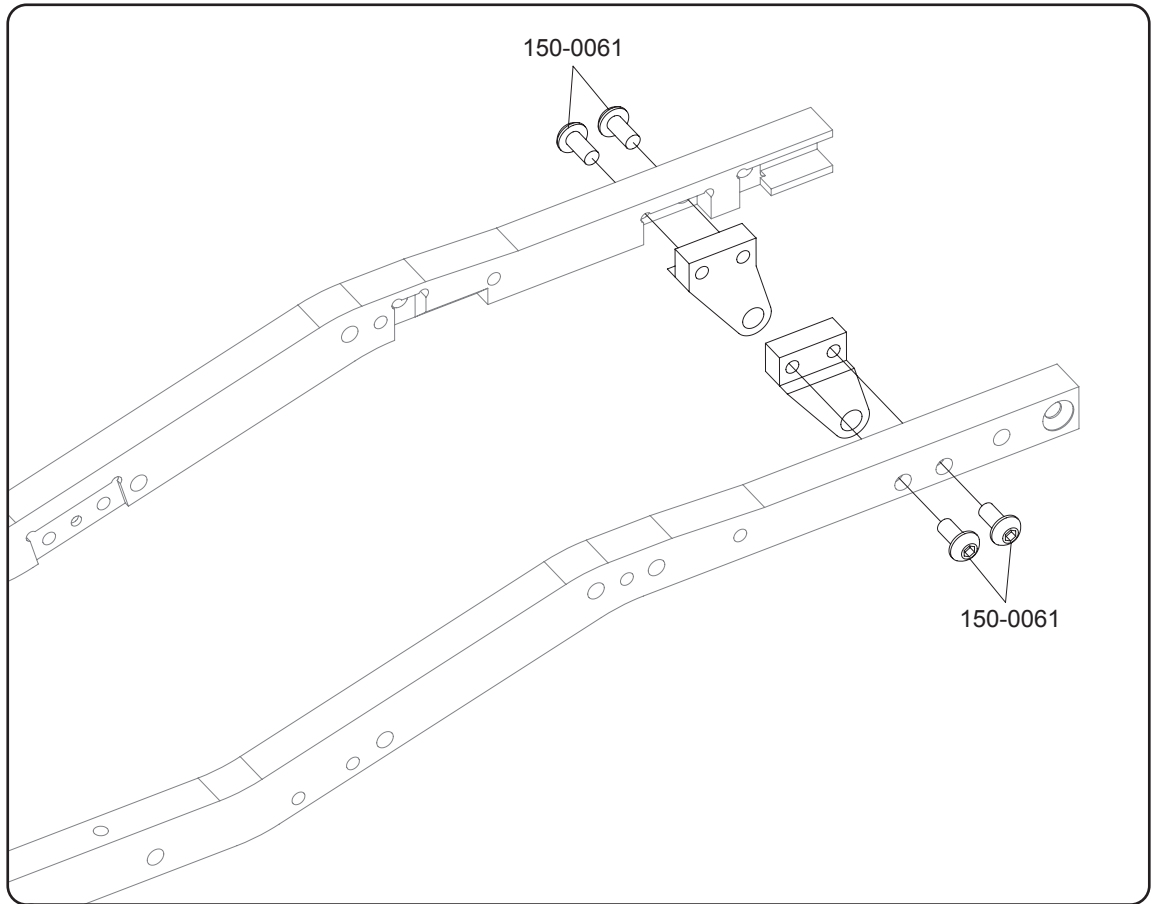
- Use good quality hex drivers to avoid stripping screw heads.
- Open kit bags in order of assembly steps.
- Use “Step” index for quantity and size of hardware to be used for assembly.
- Do not over tighten screws.
- Use thread lock sparingly on metal parts.

Recommendations for building your RC4WD Trail Finder 2 Truck Kit

1. Carefully remove all parts from bags and sort them. Make sure to use threadlock on all screws in aluminum.
2. Do not over-tighten screws. Stripping screw heads and holes during assembly can happen if you are using too much force.

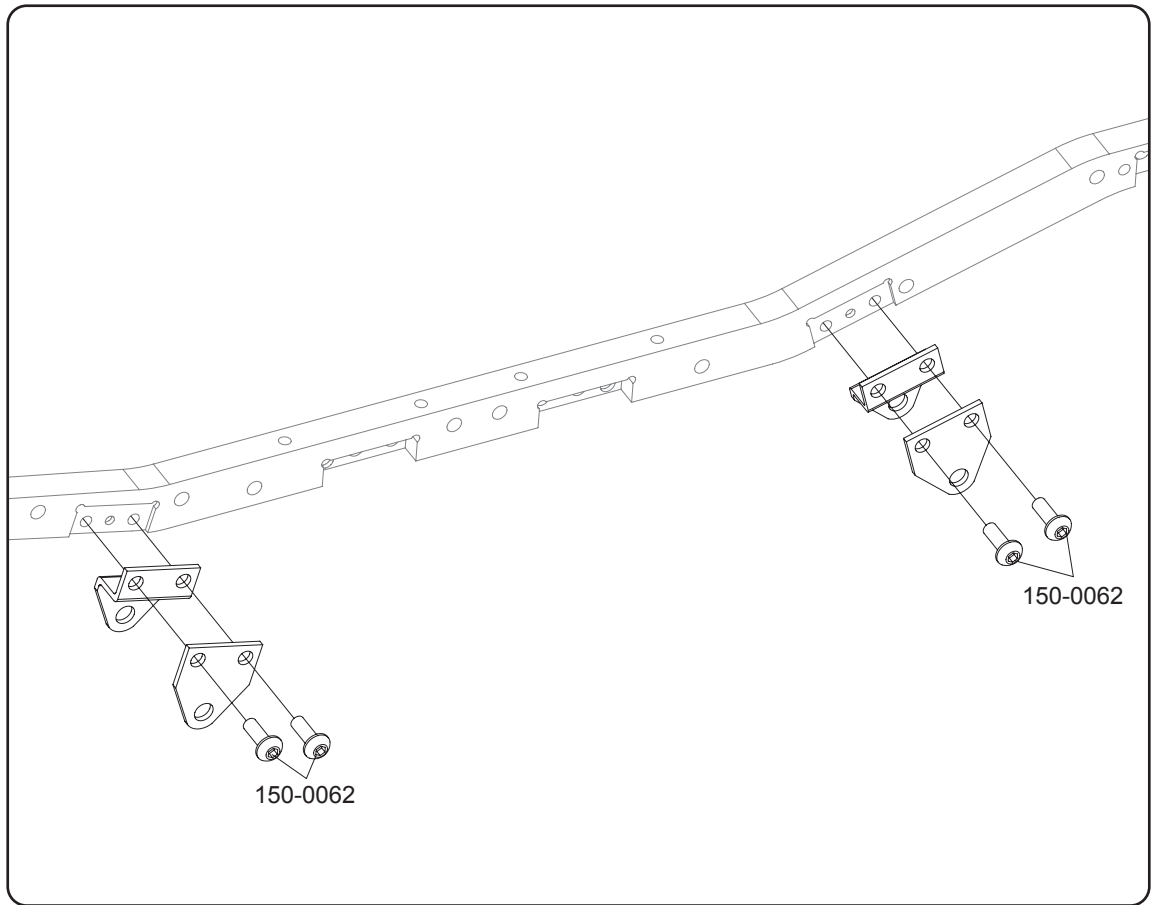
RC4WD
Step 1

 X4
150-0061
M3 x 6mm BHCS





RC4WD
Step 2

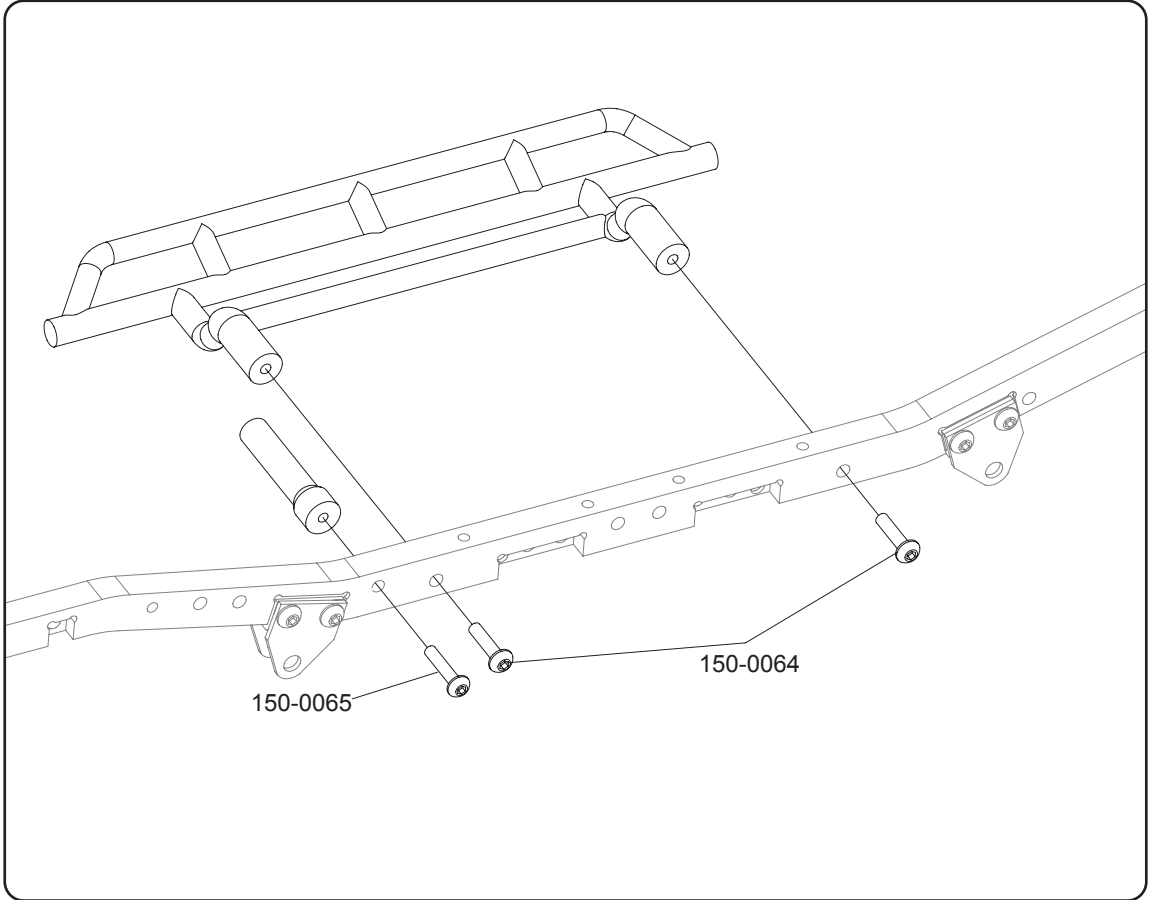
 X4
150-0062
M3 x 8mm BHCS




RC4WD
Step 3

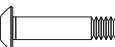
 X2
150-0064
M3 x 12mm BHCS

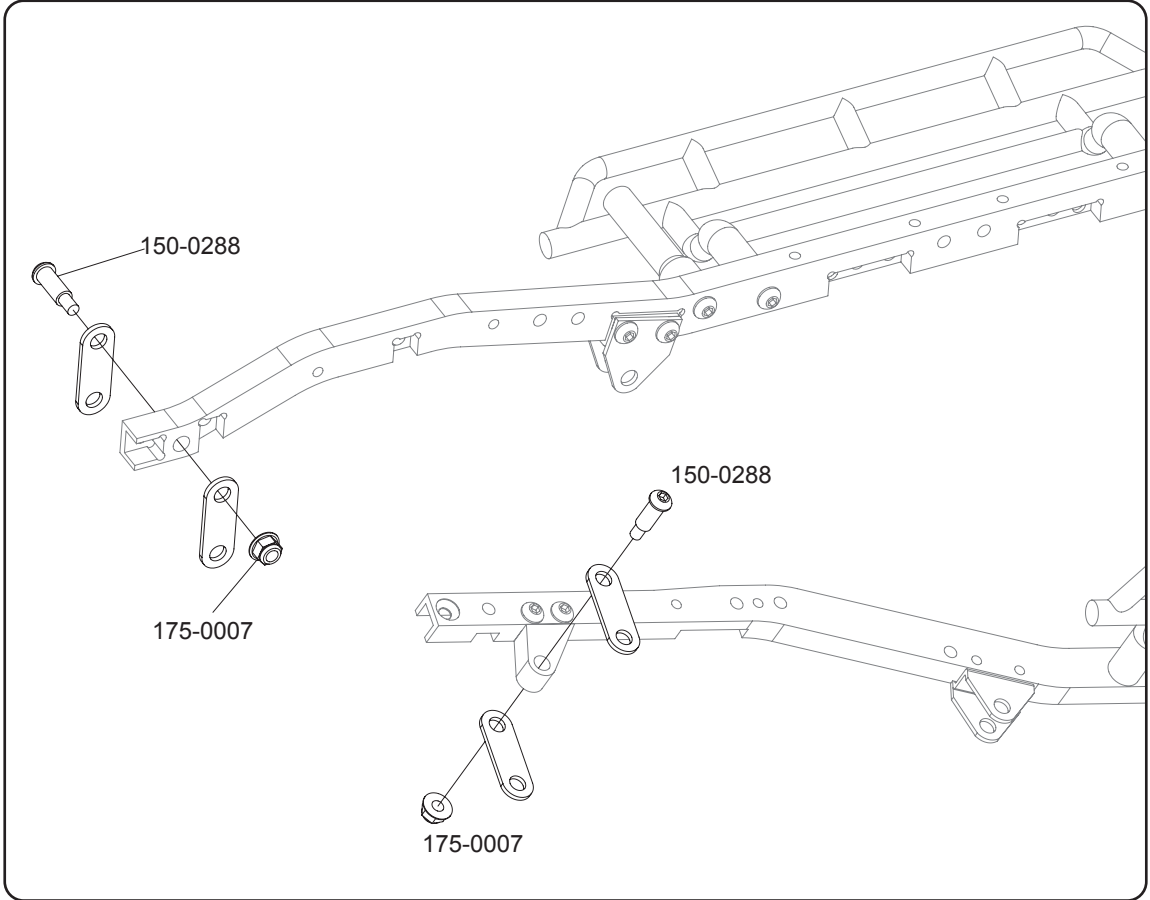
 X1
150-0065
M3 x 14mm BHCS




RC4WD
Step 4


 X2
175-0007
M3 Black Lock Nut

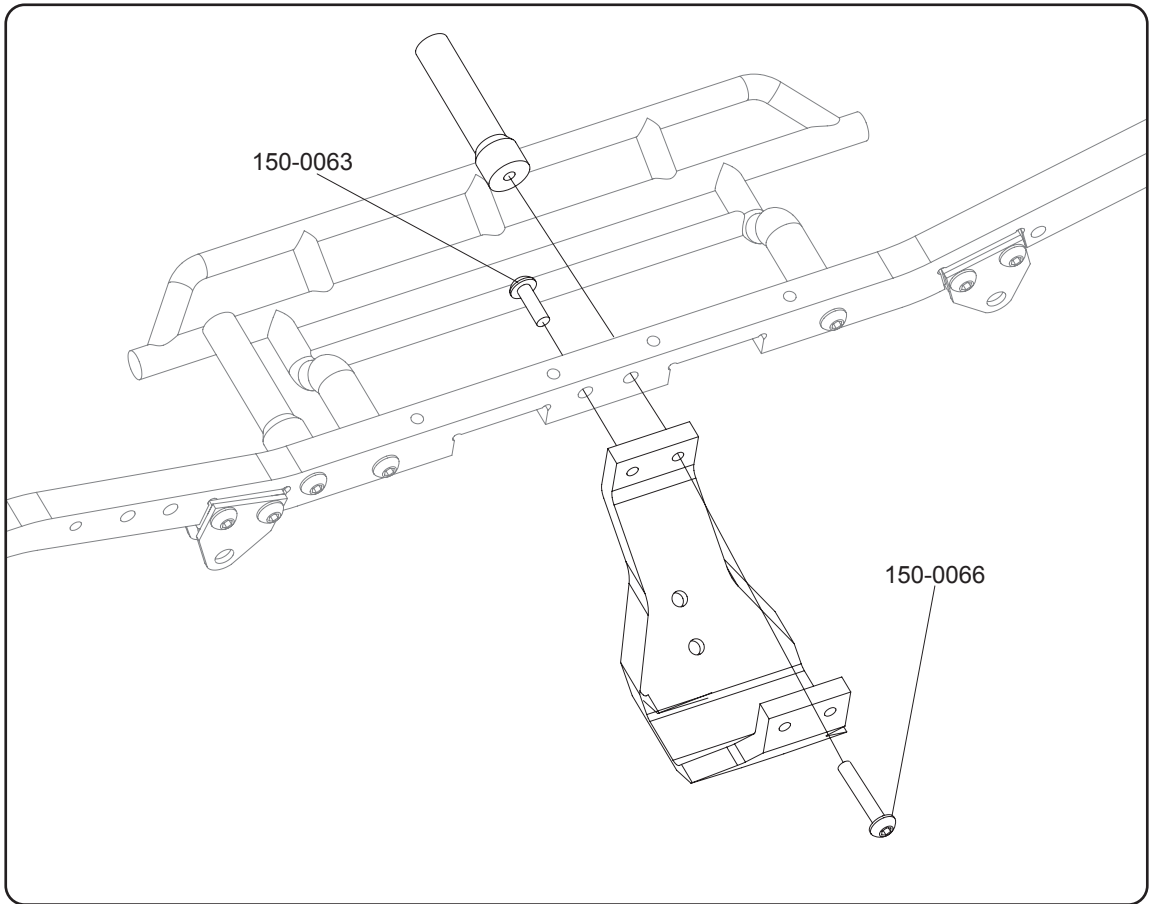
 X2
150-0288
M3 x 15mm
Shoulder Screw




RC4WD
Step 5

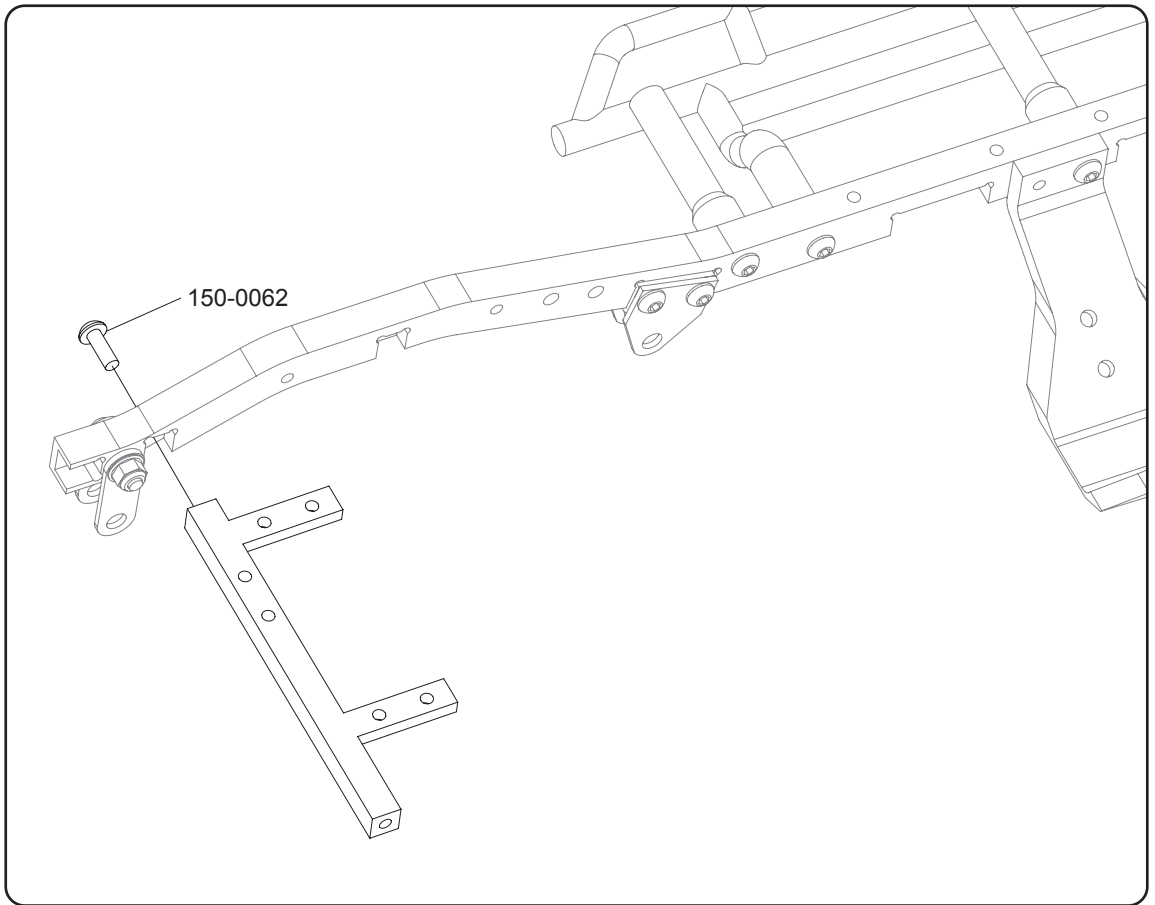
 X1
150-0063
M3 x 10mm BHCS

 X1
150-0066
M3 x 16mm BHCS




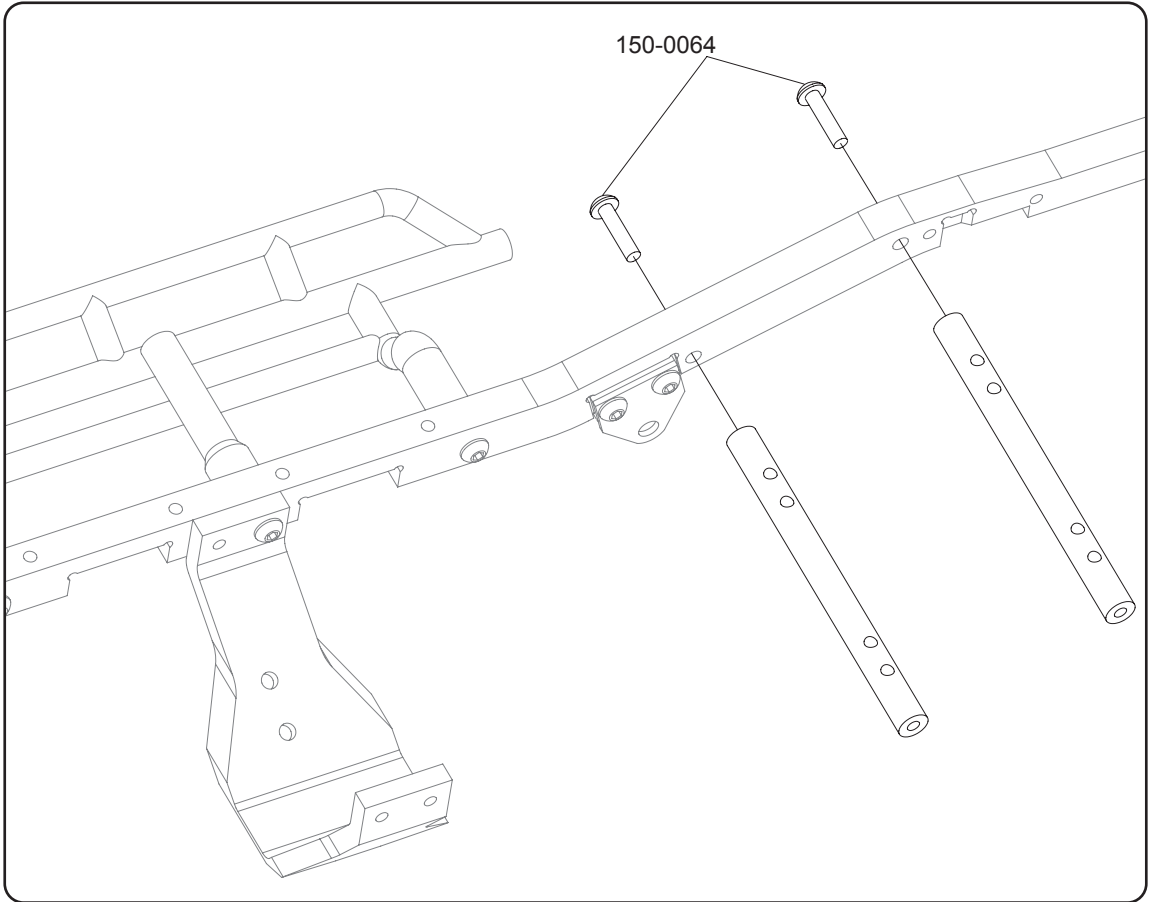
RC4WD
Step 6

 X1
150-0062
M3 x 8mm BHCS



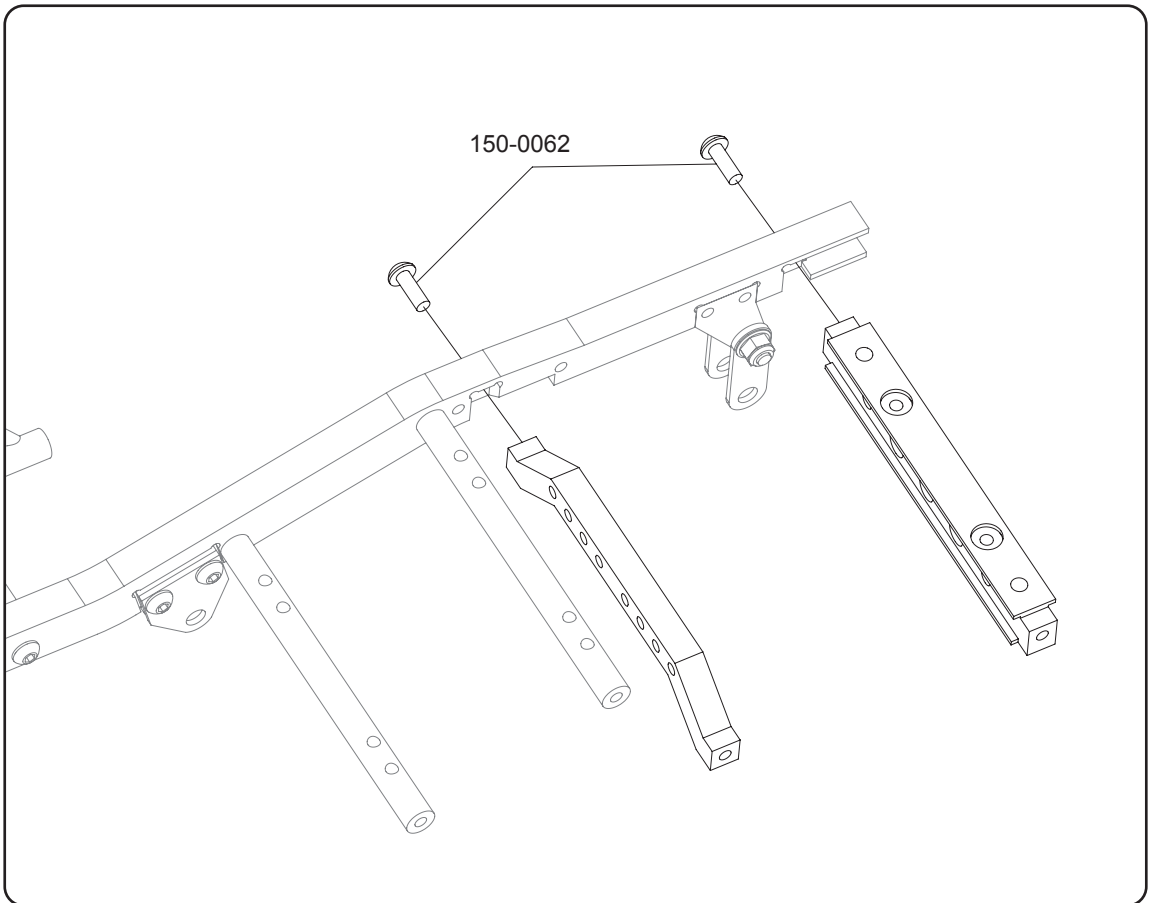
RC4WD
Step 7

 X2
150-0064
M3 x 12mm BHCS




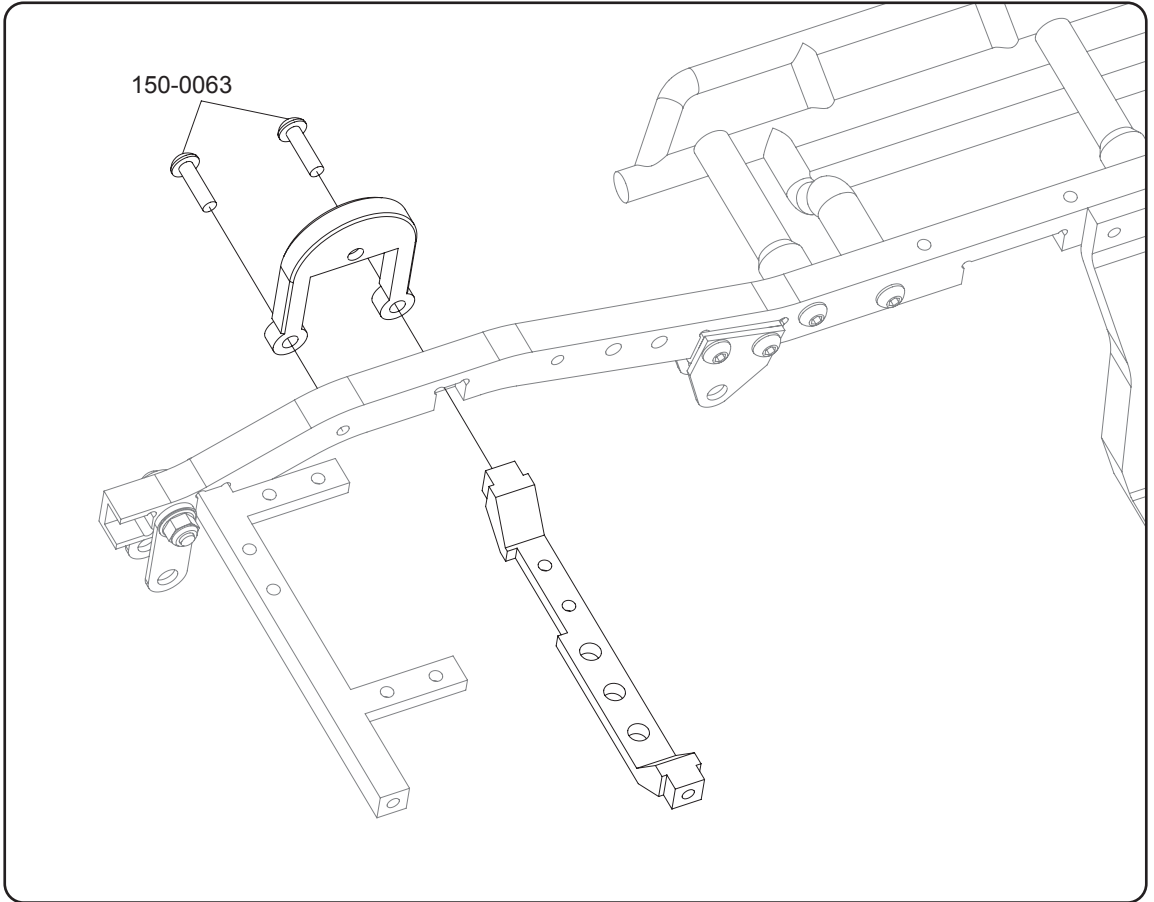
RC4WD
Step 8

 X2
150-0062
M3 x 8mm BHCS









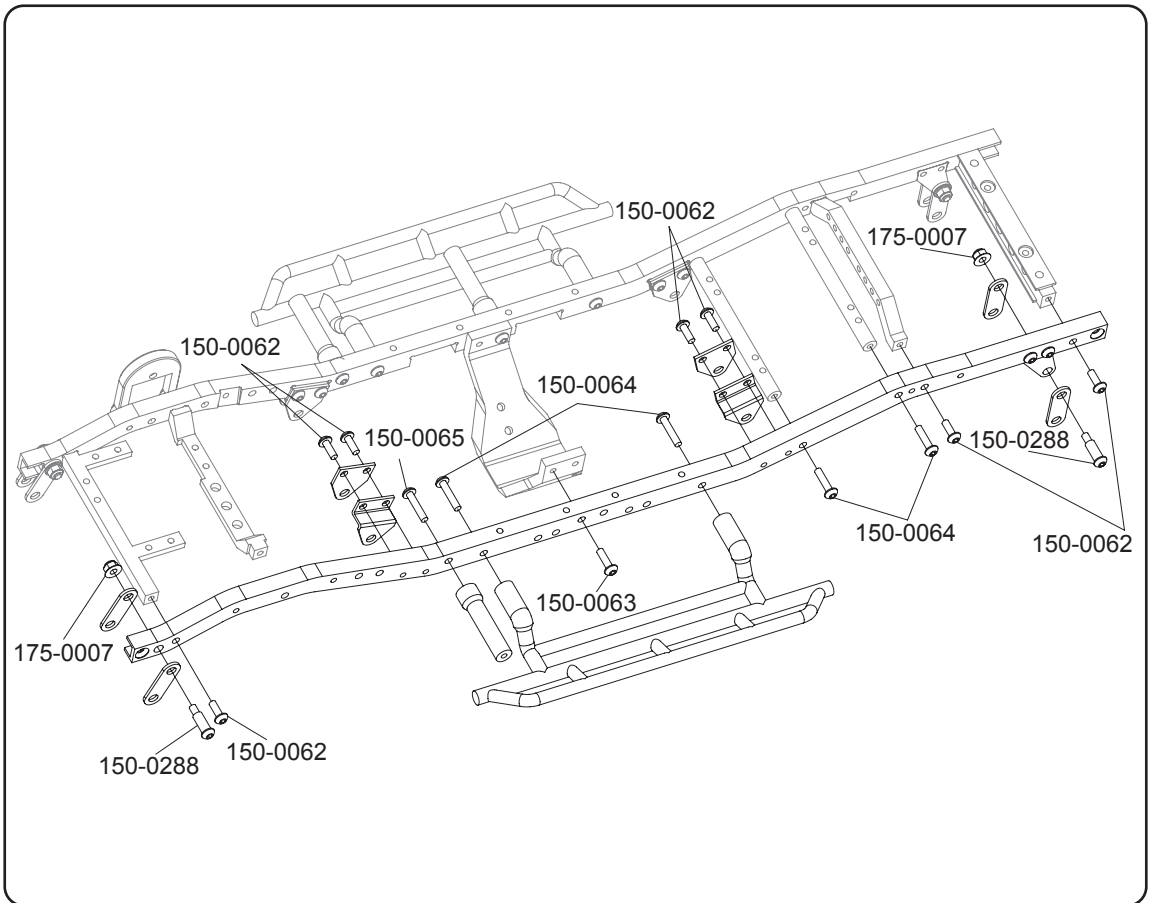
RC4WD
Step 9

-  X2
- 150-0063
- M3 x 10mm BHCS




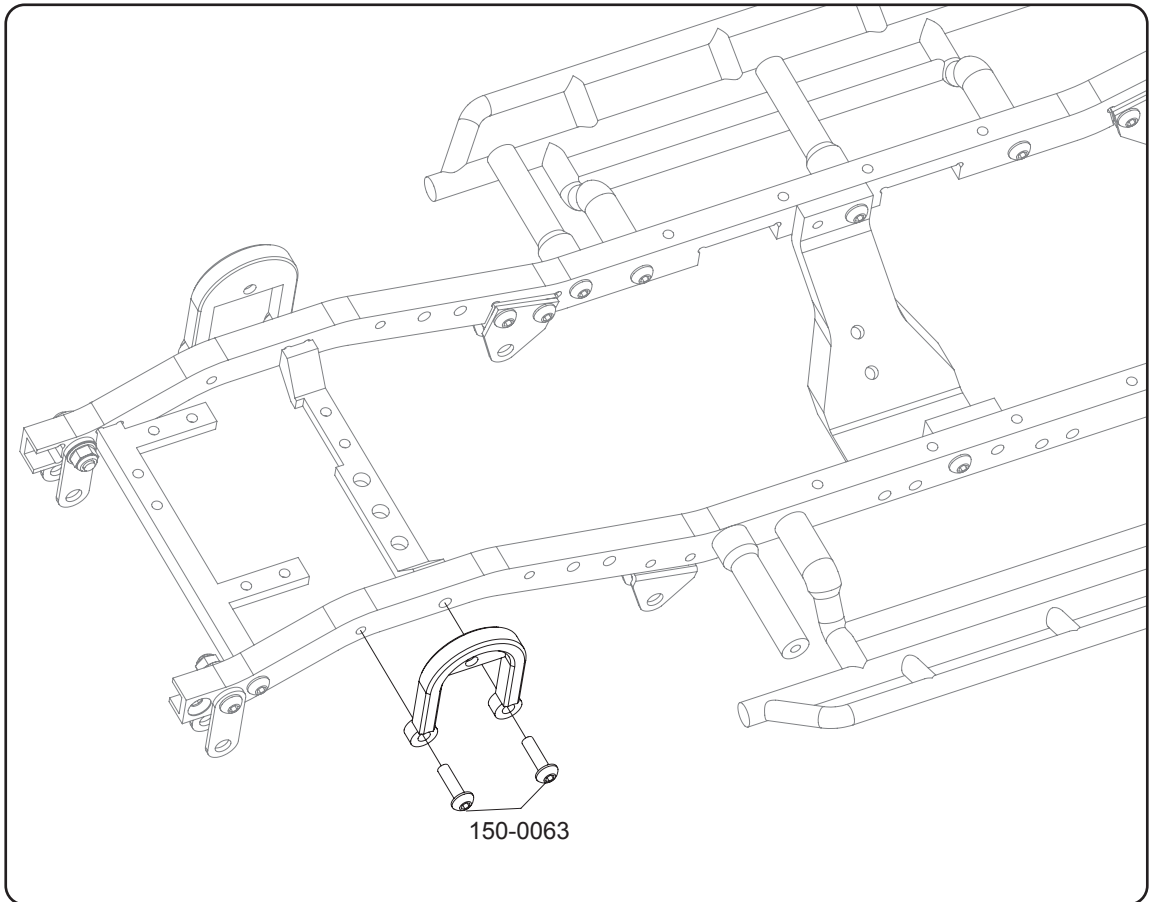
RC4WD
Step 10

-  X7
- 150-0062
- M3 x 8mm BHCS
-  X1
- 150-0063
- M3 x 10mm BHCS
-  X4
- 150-0064
- M3 x 12mm BHCS
-  X1
- 150-0065
- M3 x 14mm BHCS
-  X2
- 175-0007
- M3 Black Lock Nut
-  X2
- 150-0288
- M3 x 15mm
- Shoulder Screw




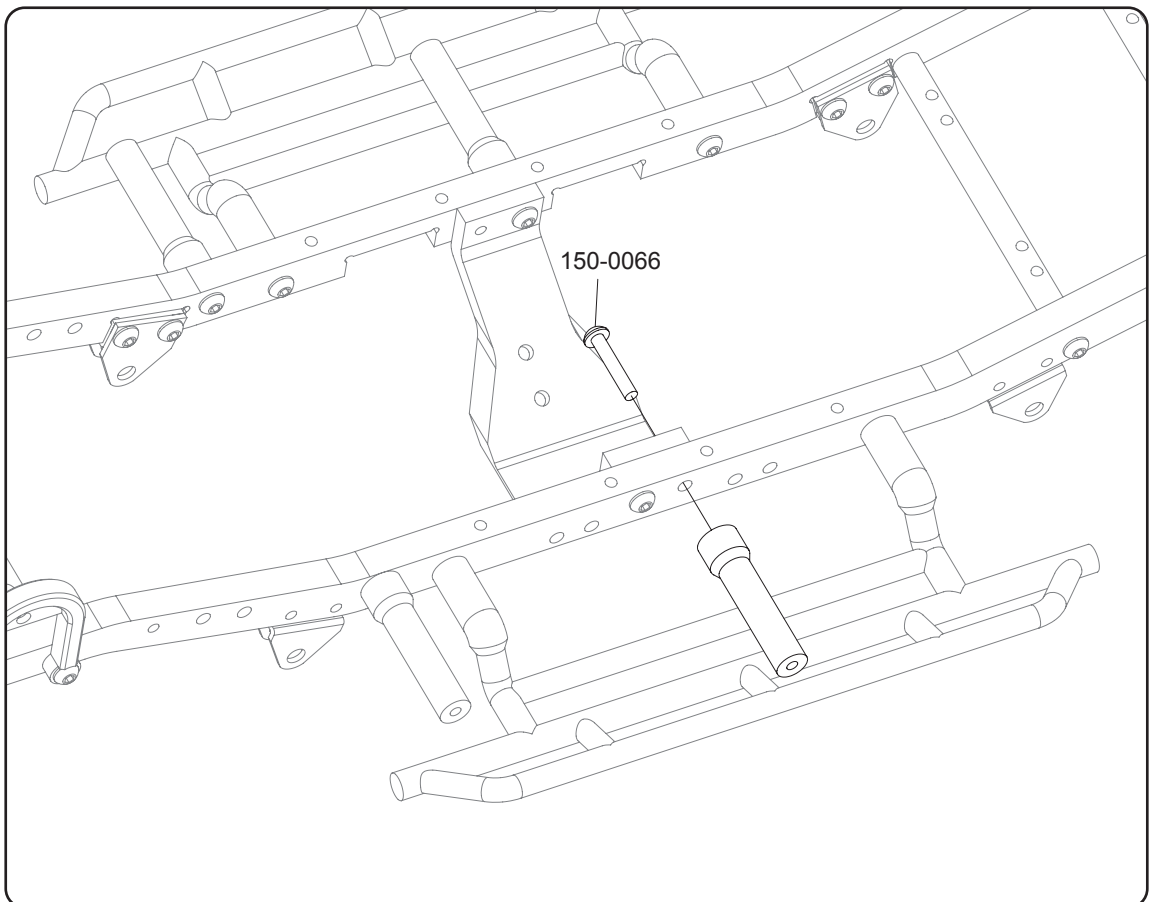
RC4WD
Step 11

 X2
150-0063
M3 x 10mm BHCS




RC4WD
Step 12

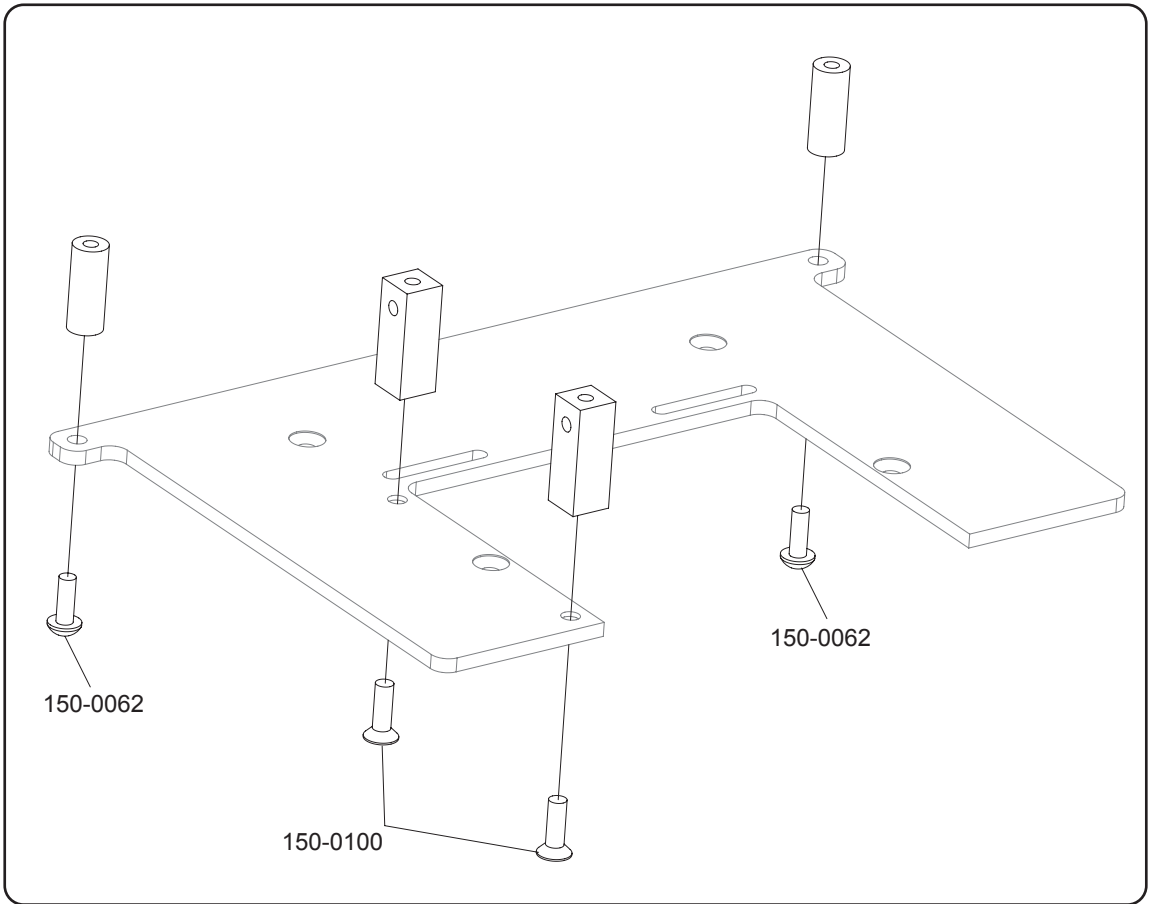
 X1
150-0066
M3 x 16mm BHCS



RC4WD
Step 13

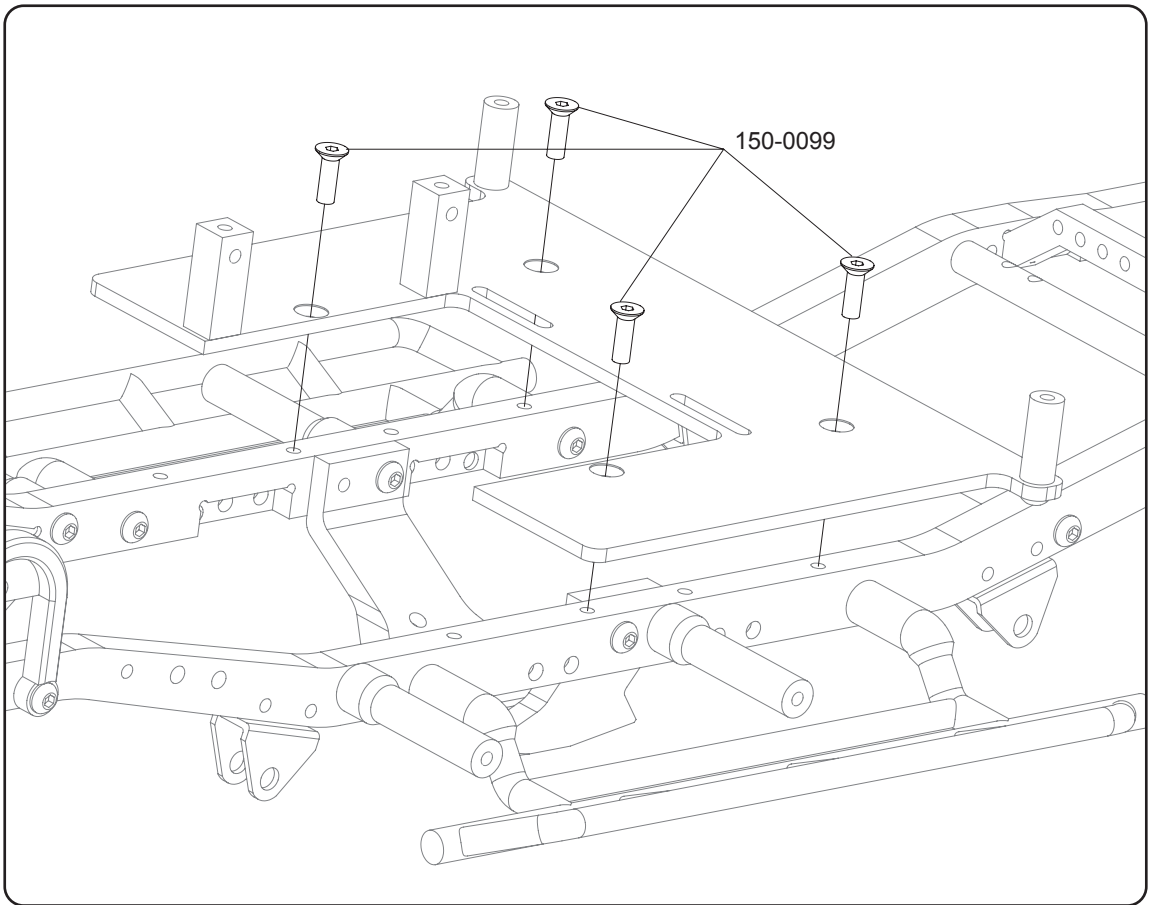
 X2
150-0062
M3 x 8mm BHCS

 X2
150-0100
M3 x 8mm FHCS



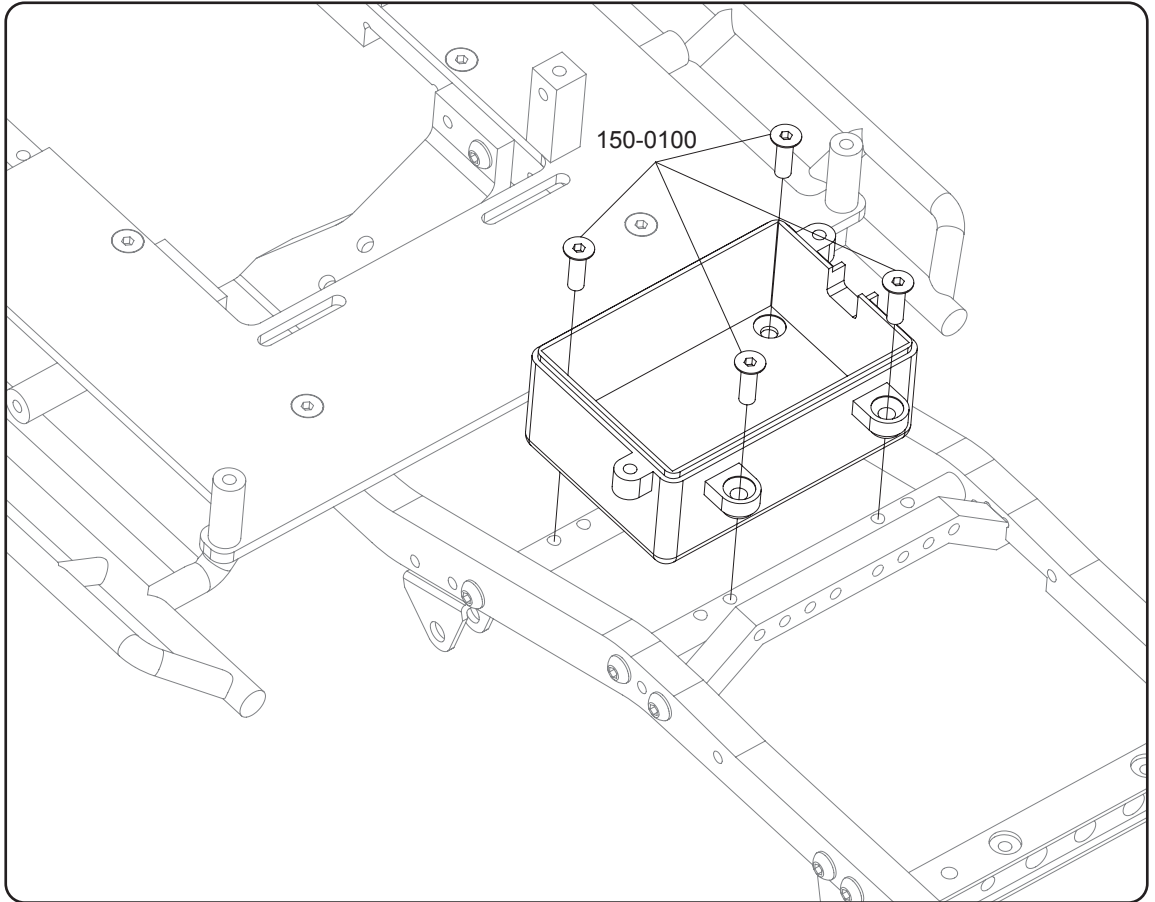
RC4WD
Step 14

 X4
150-0099
M3 x 6mm FHCS




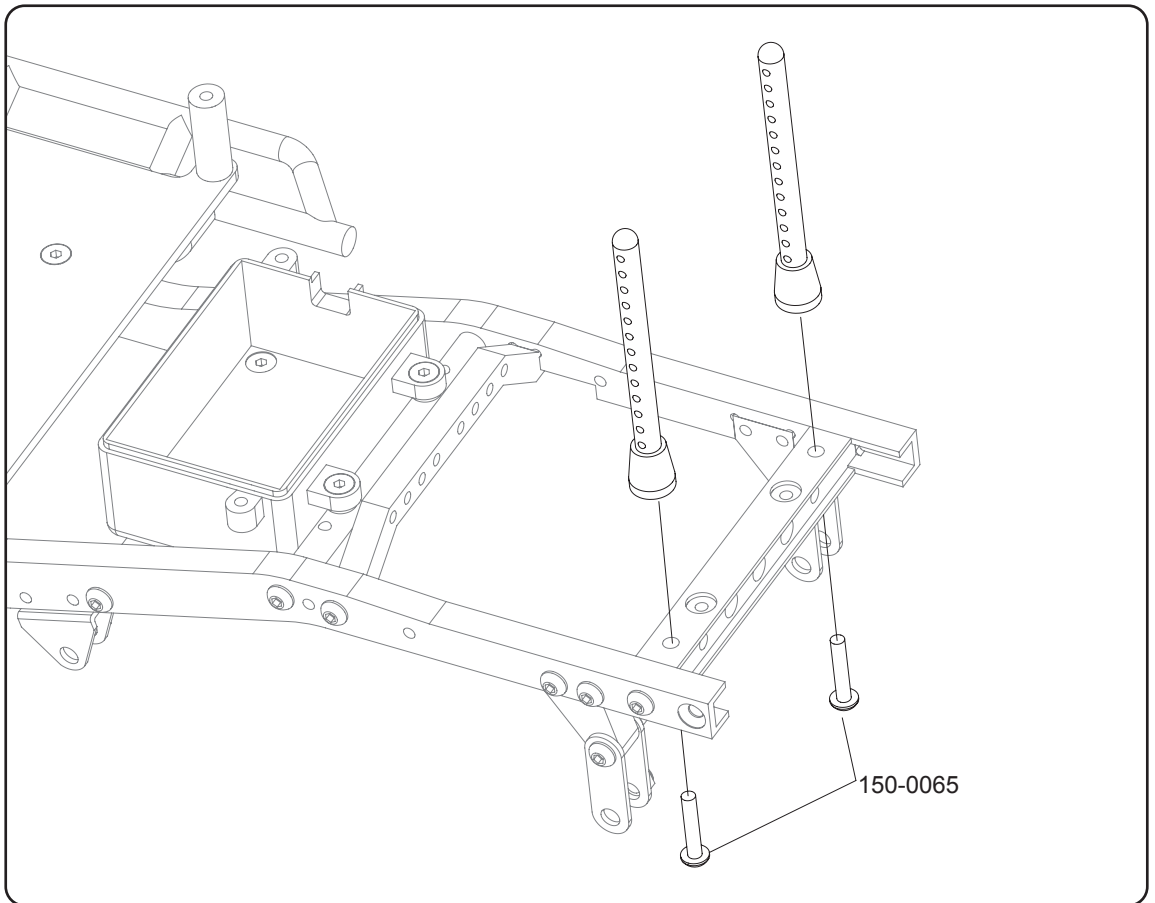
RC4WD
Step 15

 X4
150-0100
M3 x 8mm FHCS



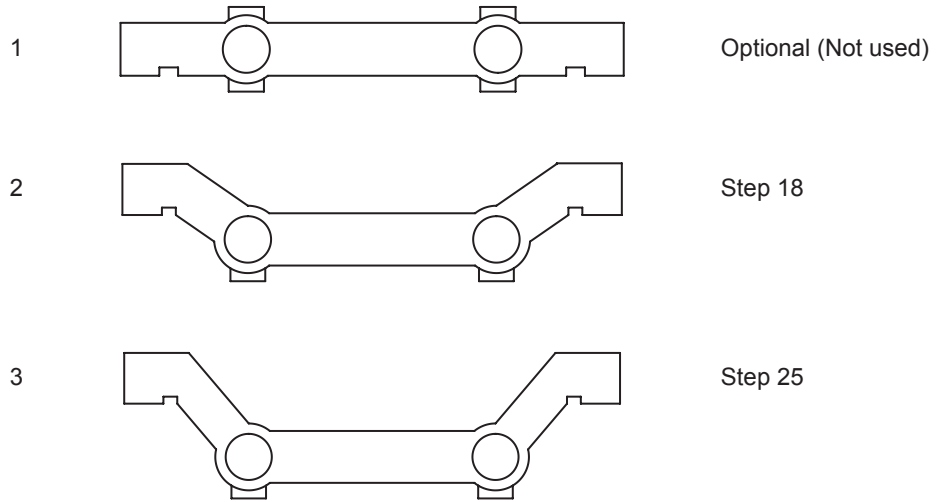
RC4WD
Step 16

 X2
150-0065
M3 x 14mm BHCS



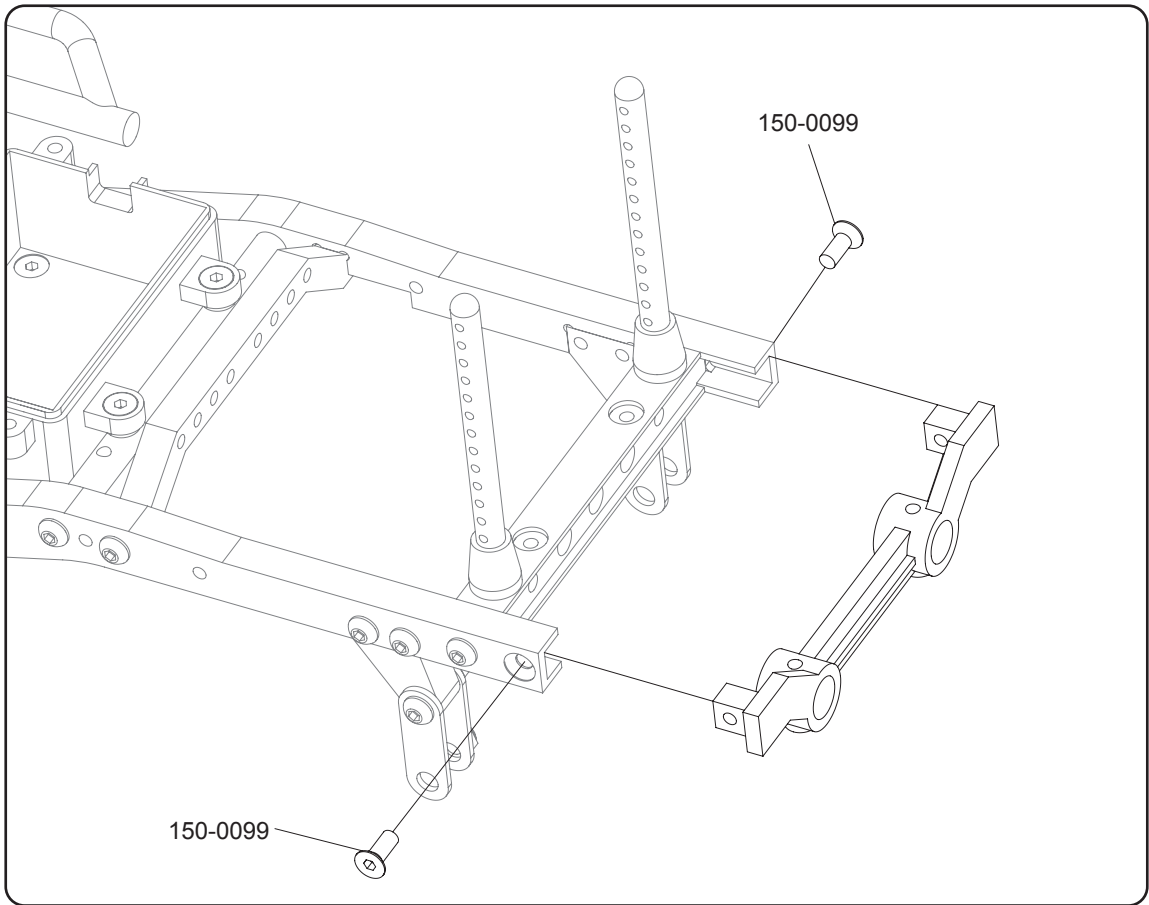
RC4WD
Step 17

Attach bumper mount 2 on the rear of the chassis.




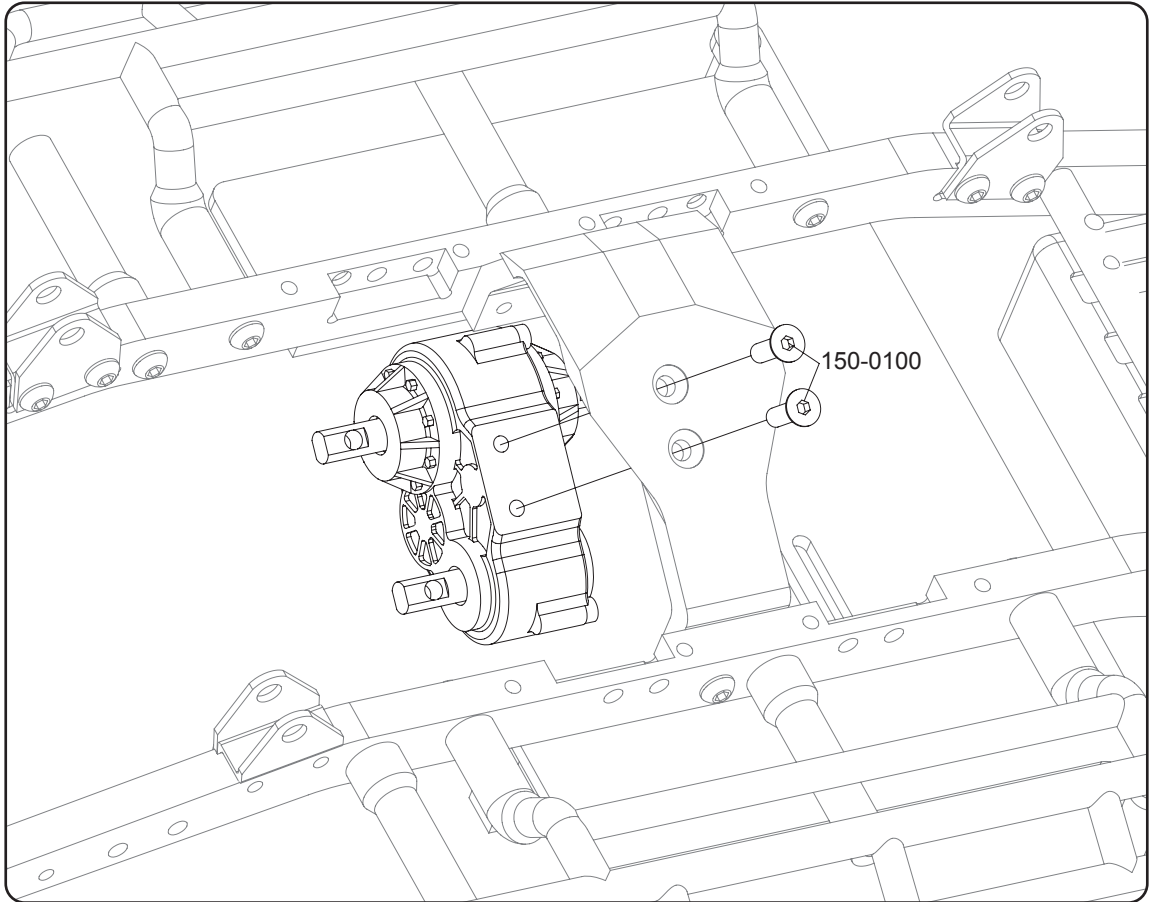
RC4WD
Step 18

 X2
150-0099
M3 x 6mm FHCS




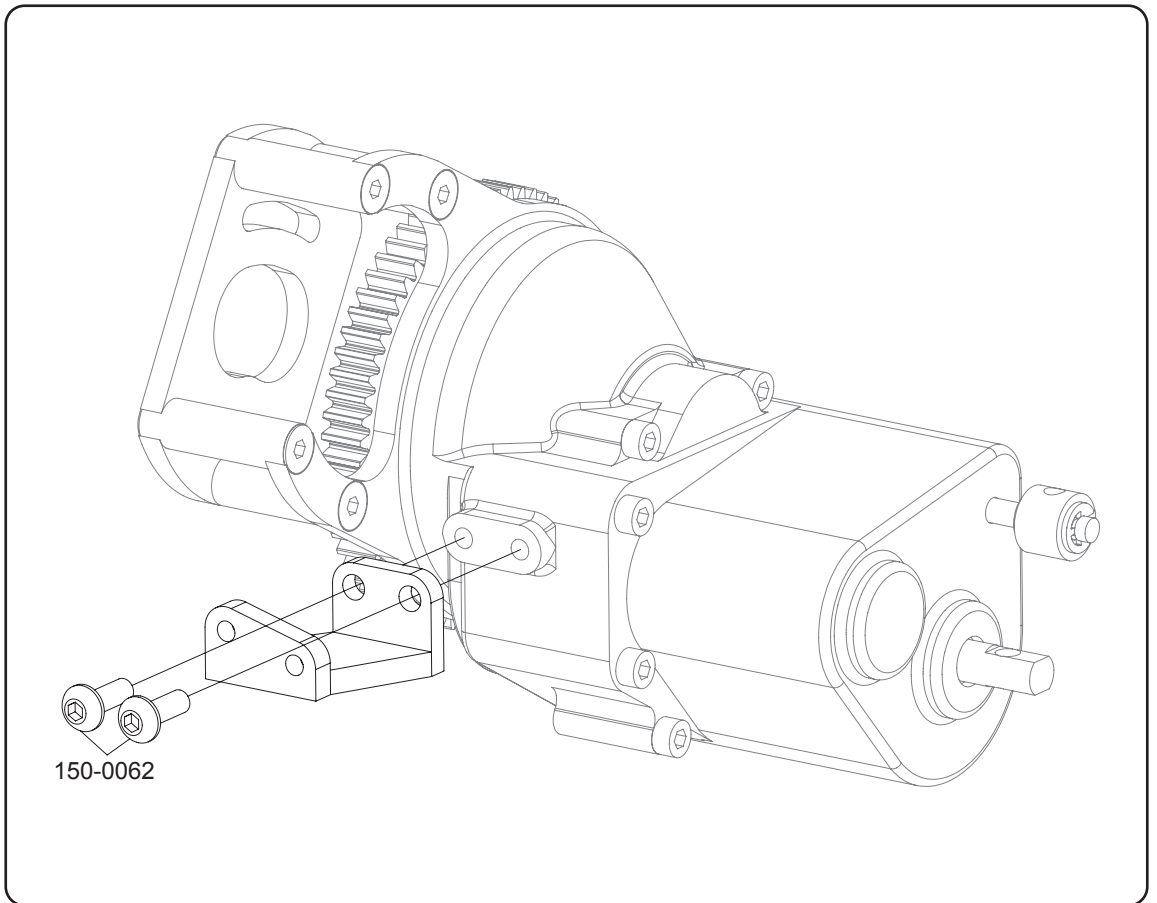
RC4WD
Step 19

 X2
150-0100
M3 x 8mm FHCS




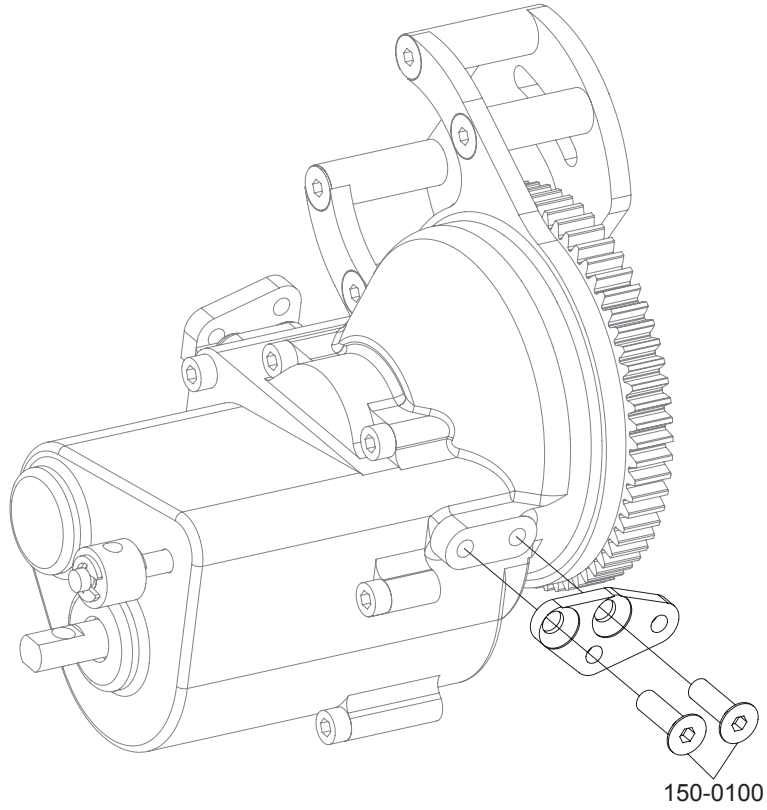
RC4WD
Step 20

 X2
150-0062
M3 x 8mm BHCS




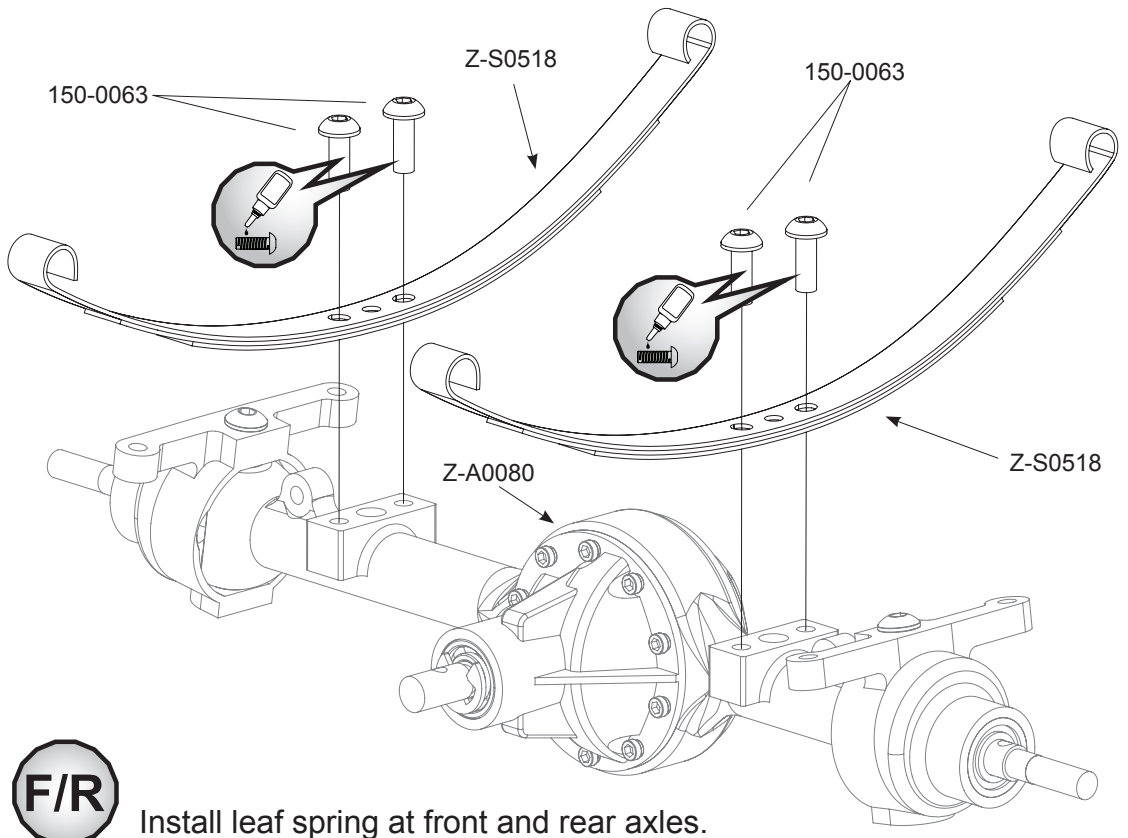
RC4WD
Step 21

 X2
150-0100
M3 x 8mm FHCS



RC4WD
Step 22

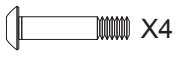
 X8
150-0063
M3 x 10mm BHCS



F/R

Install leaf spring at front and rear axles.

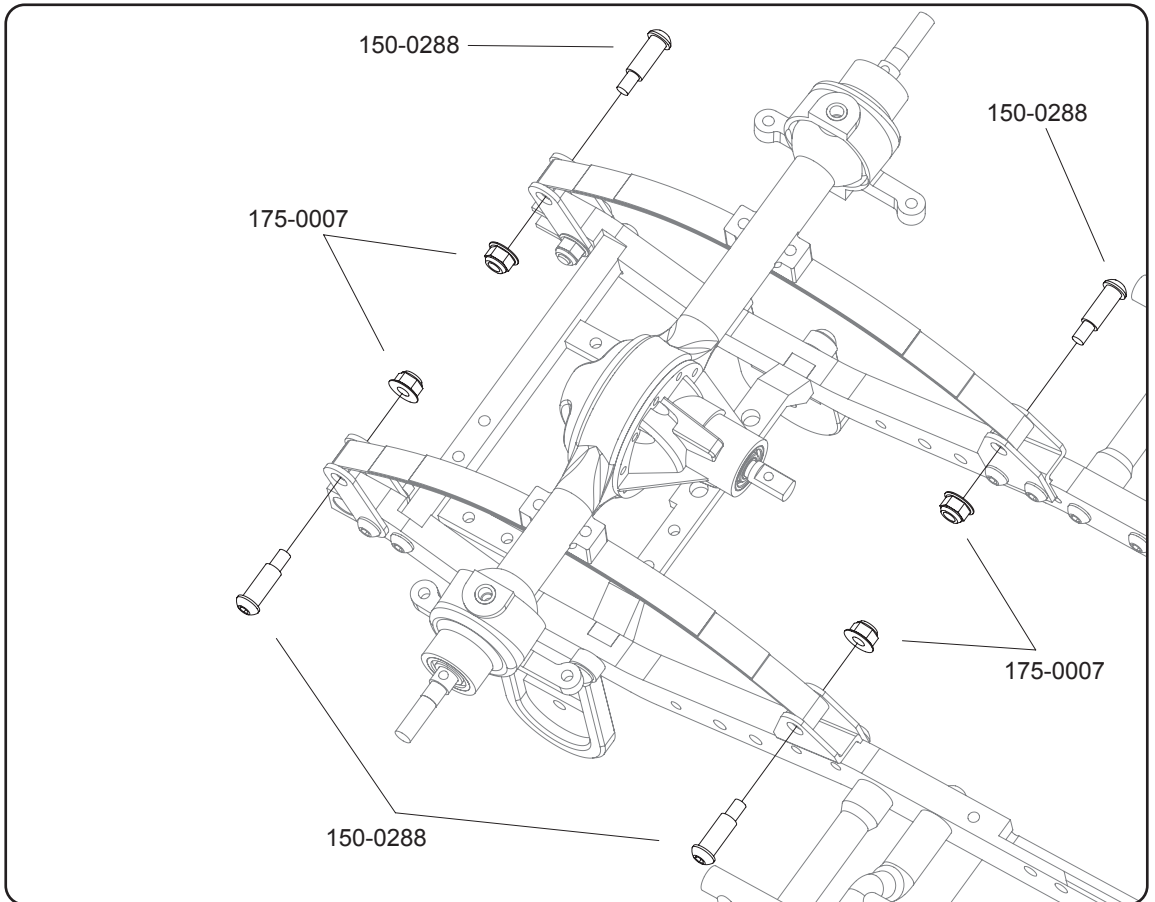
RC4WD
Step 23



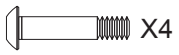
X4
150-0288
M3 x 15mm
Shoulder Screw



X4
175-0007
M3 Black Lock Nut



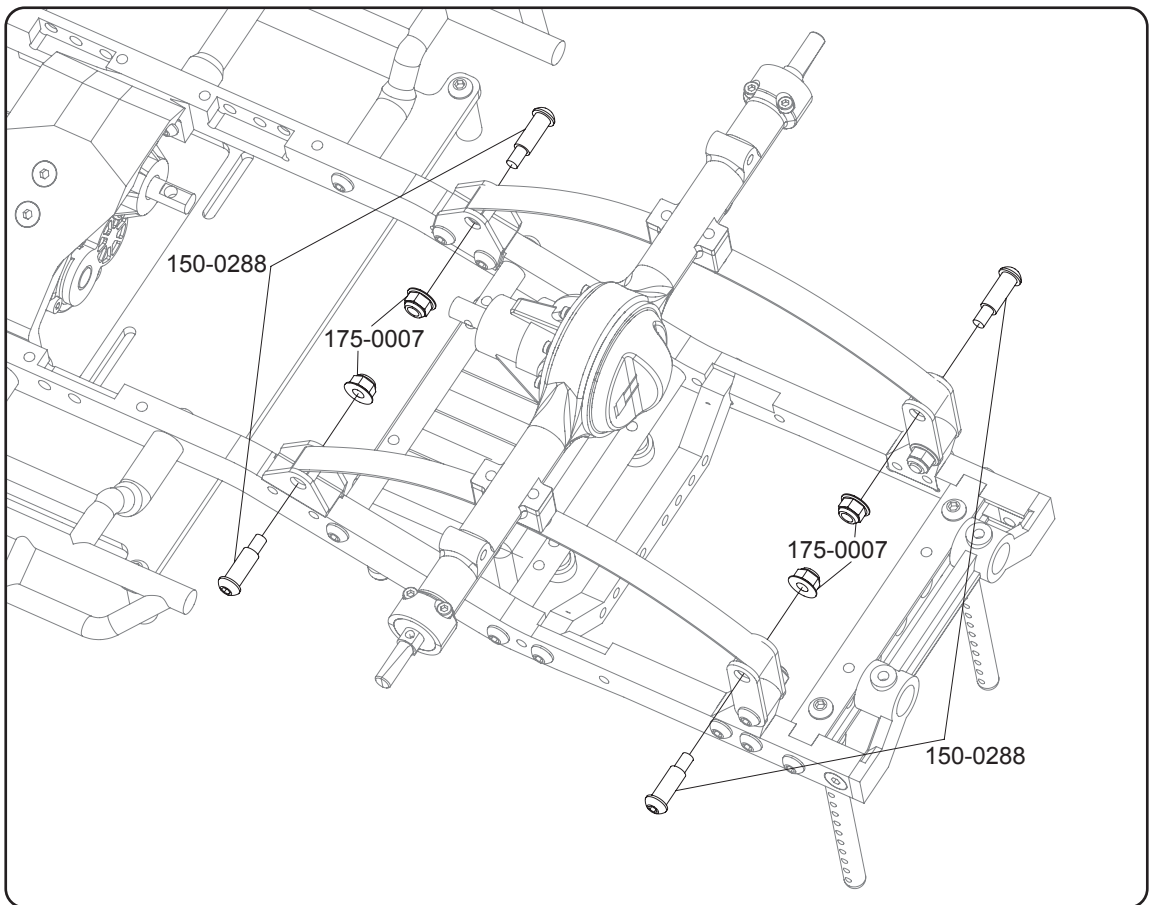
RC4WD
Step 24



X4
150-0288
M3 x 15mm
Shoulder Screw

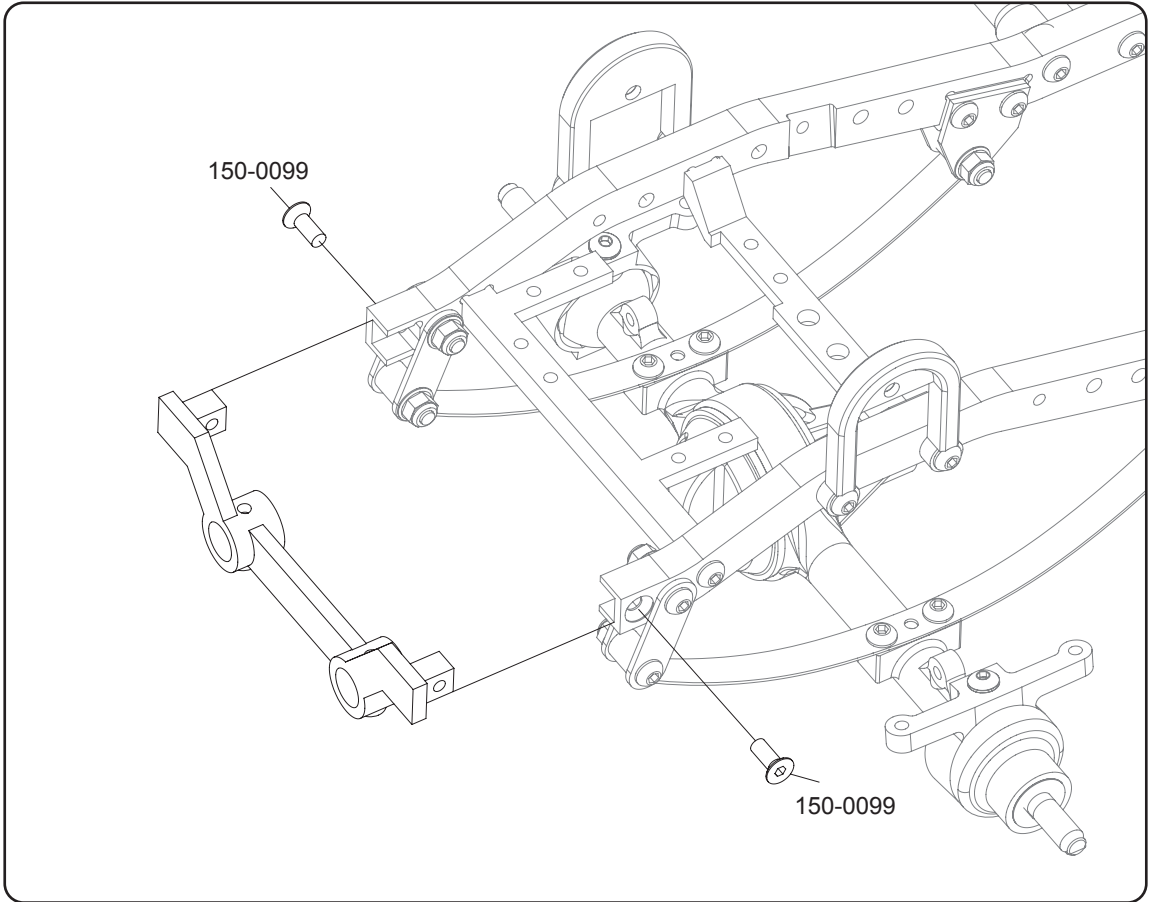


X4
175-0007
M3 Black Lock Nut





RC4WD
Step 25

 X2
150-0099
M3 x 6mm FHCS

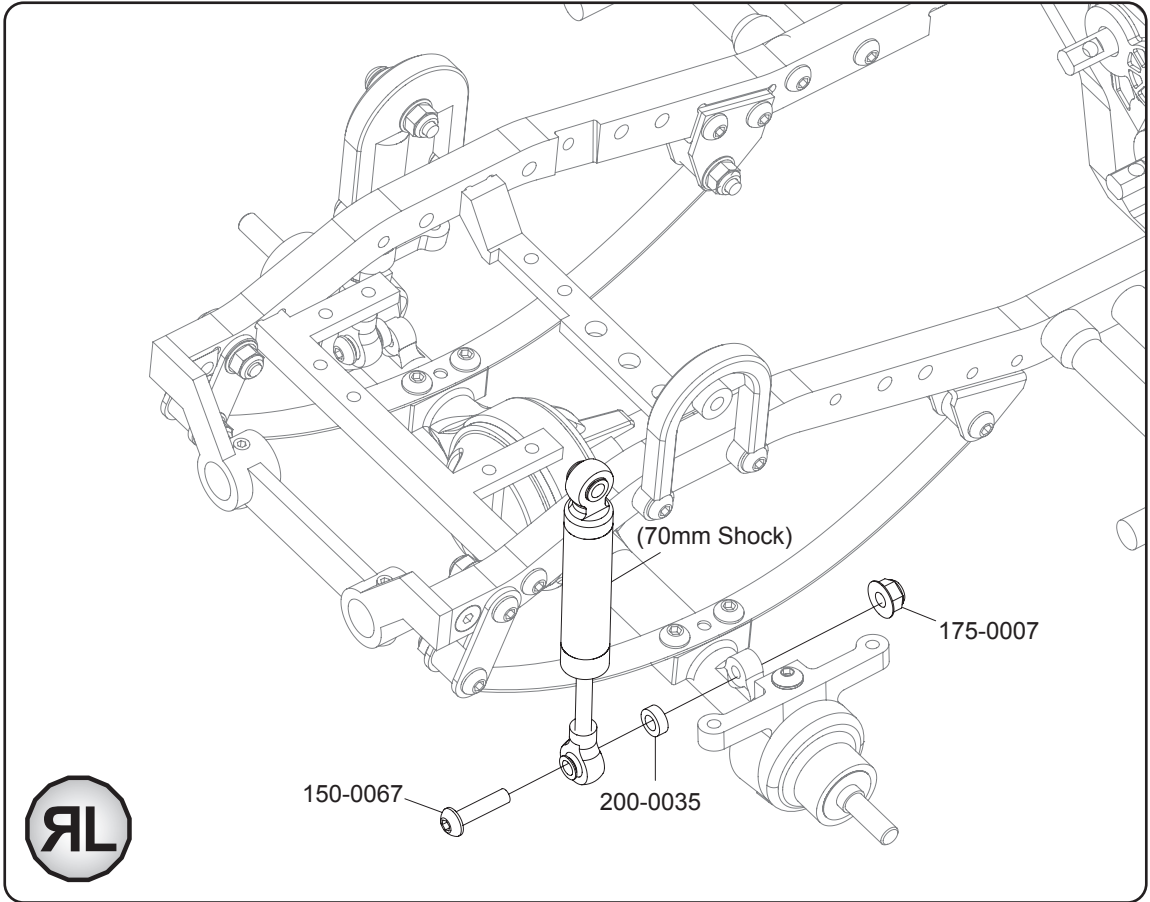


RC4WD
Step 26

 X2
150-0067
M3 x 18mm BHCS


 X2
175-0007
M3 Black Lock Nut


 X2
200-0035
M3 X 2mm Spacer



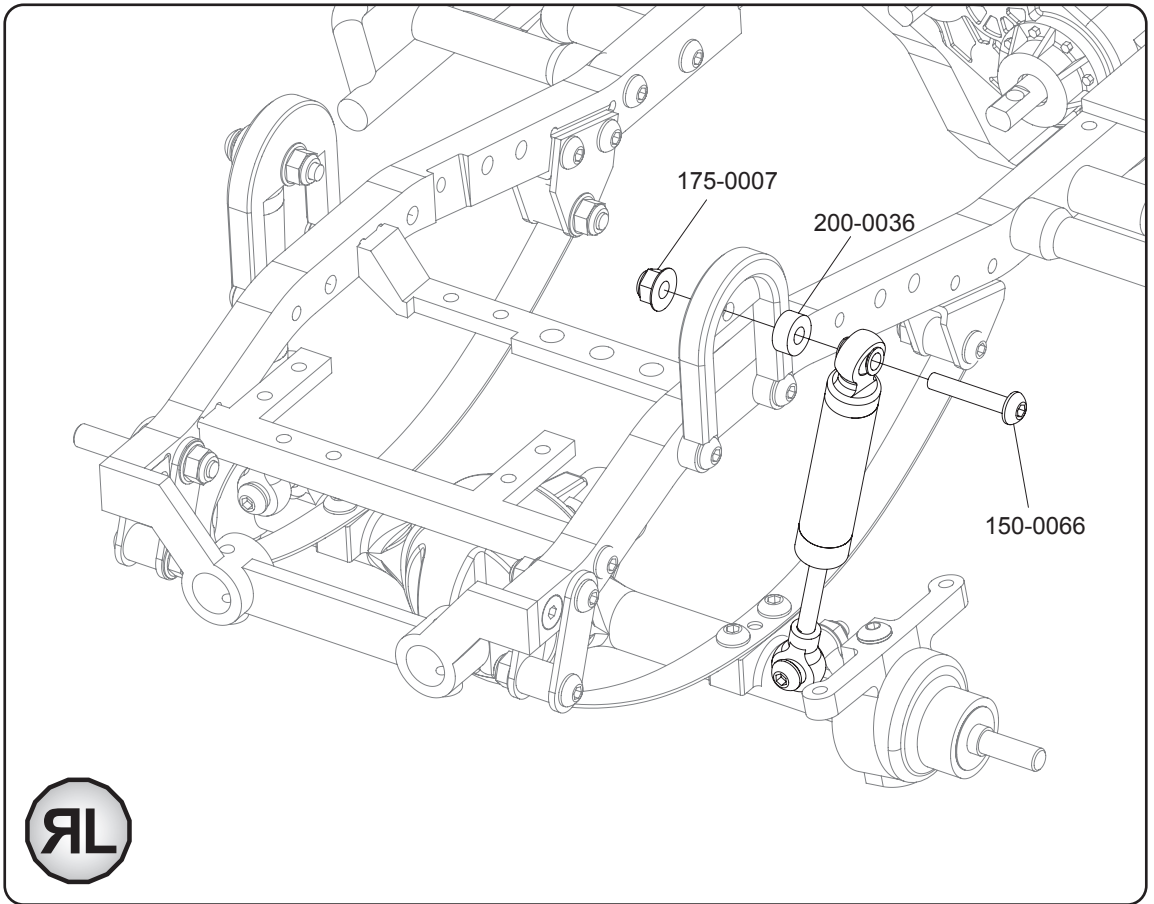
RC4WD

Step 27

 X2
150-0066
M3 x 16mm BHCS

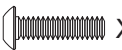
 X2
175-0007
M3 Black Lock Nut


 X2
200-0036
M3 X 3mm Spacer



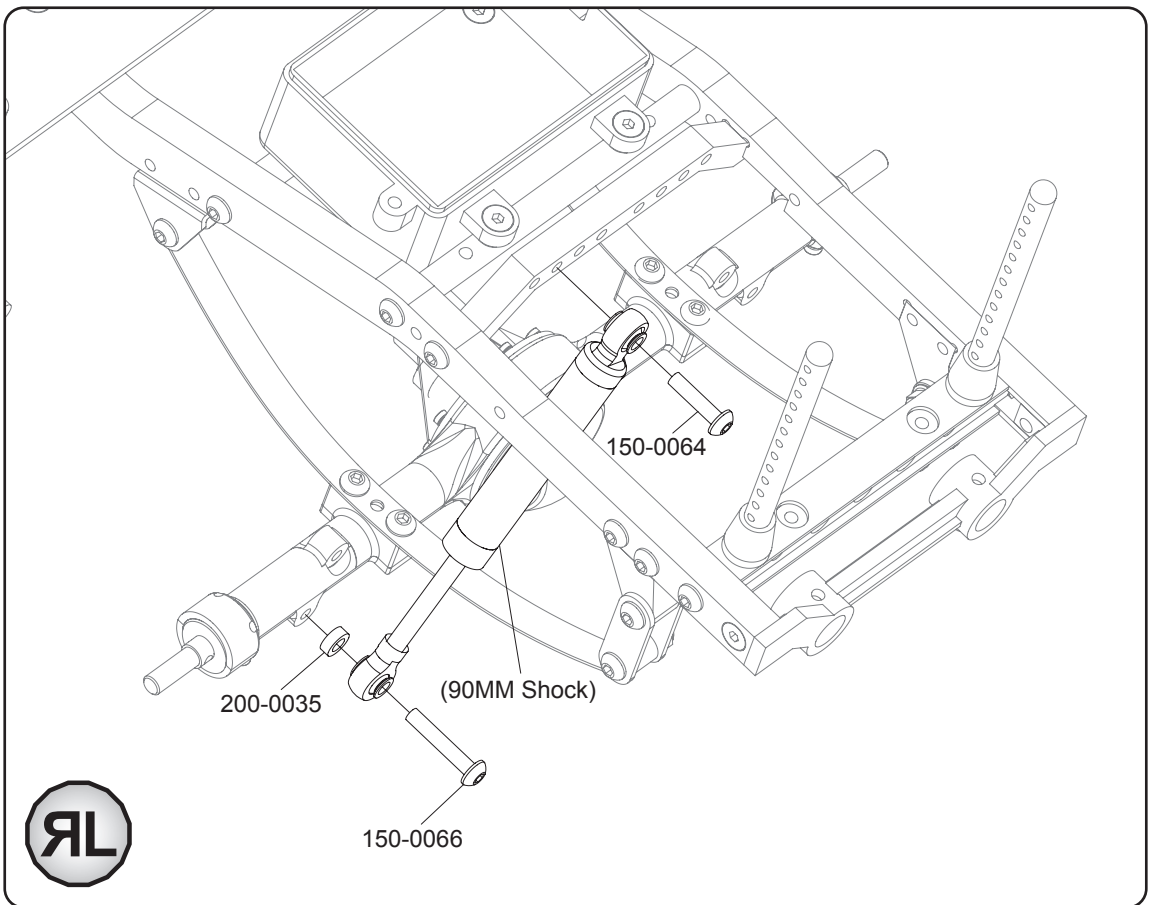
RC4WD

Step 28

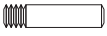
 X2
150-0064
M3 x 12mm BHCS

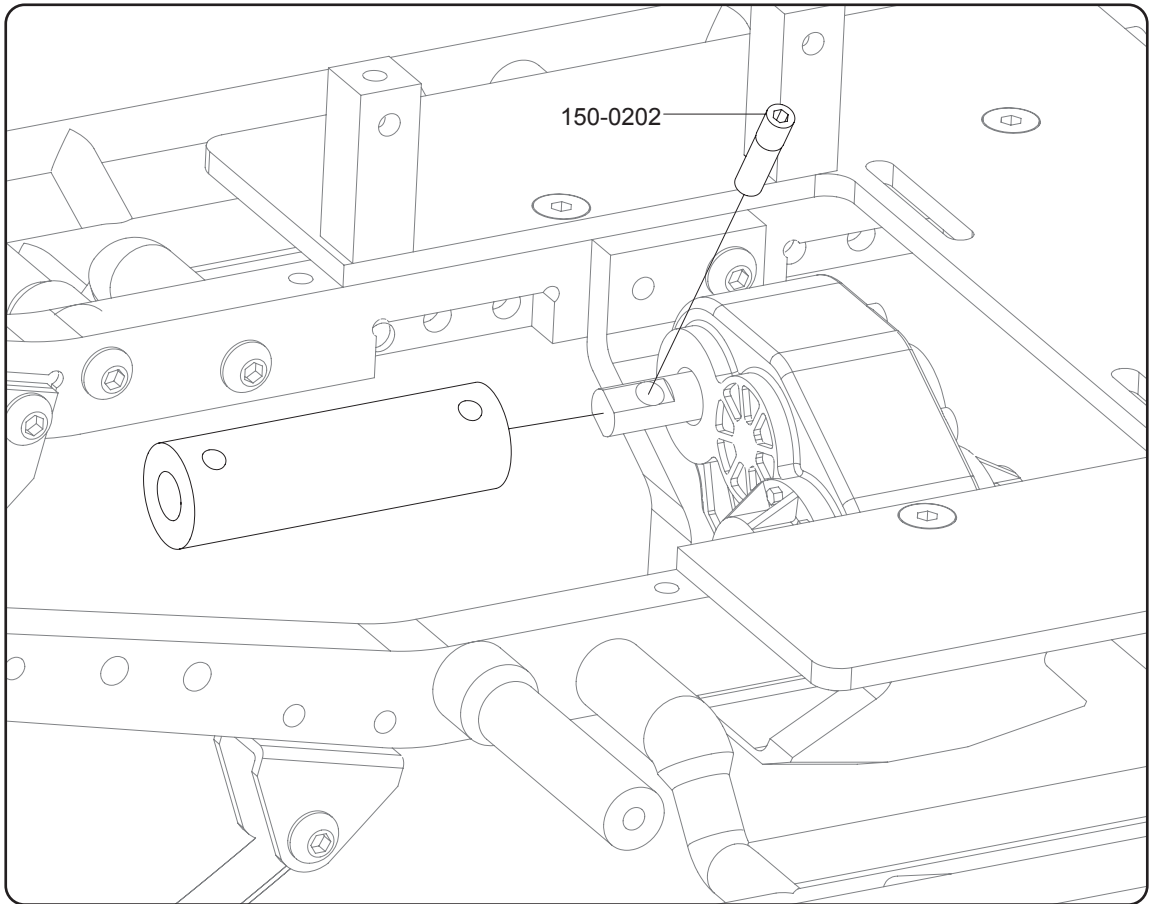
 X2
150-0066
M3 x 16mm BHCS

 X2
200-0035
M3 X 2mm Spacer

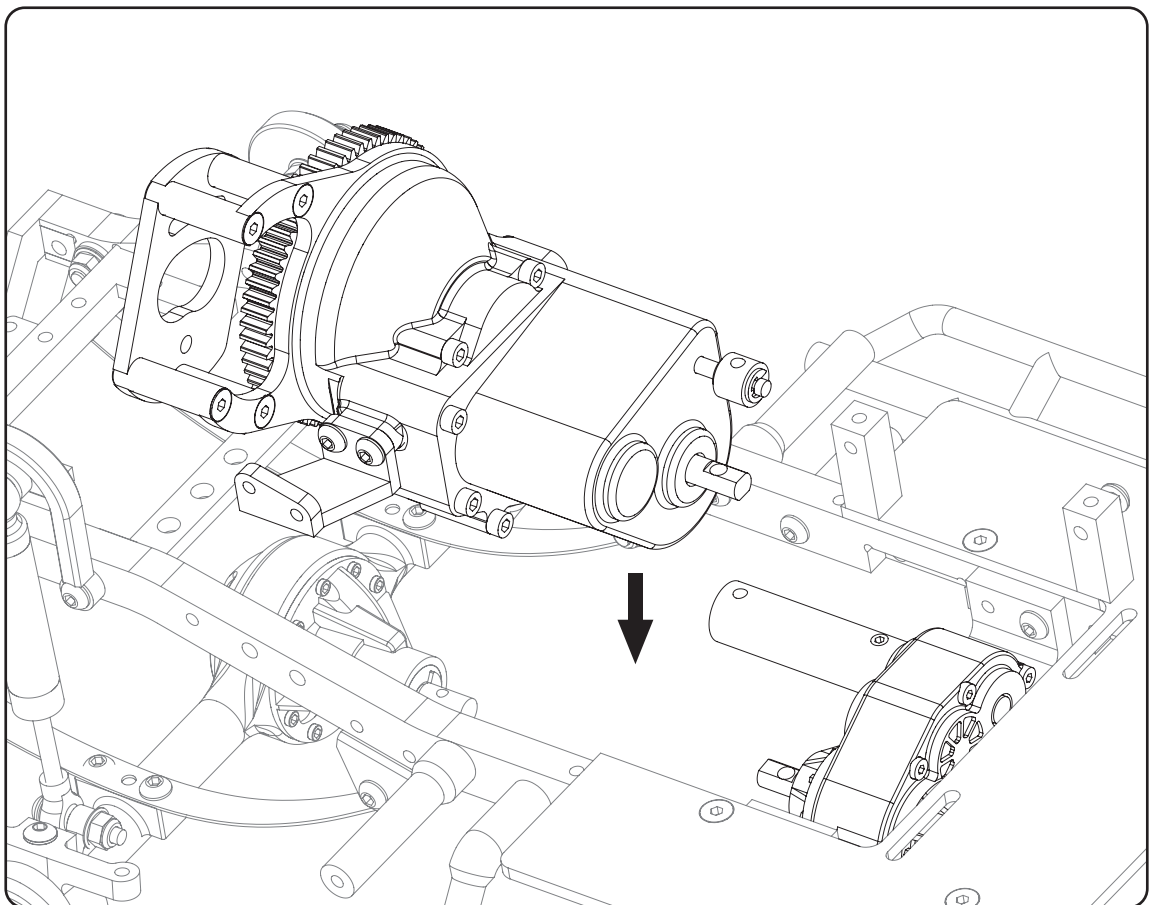


RC4WD
Step 29


 X1
150-0202
M3 Drive Shaft Pin

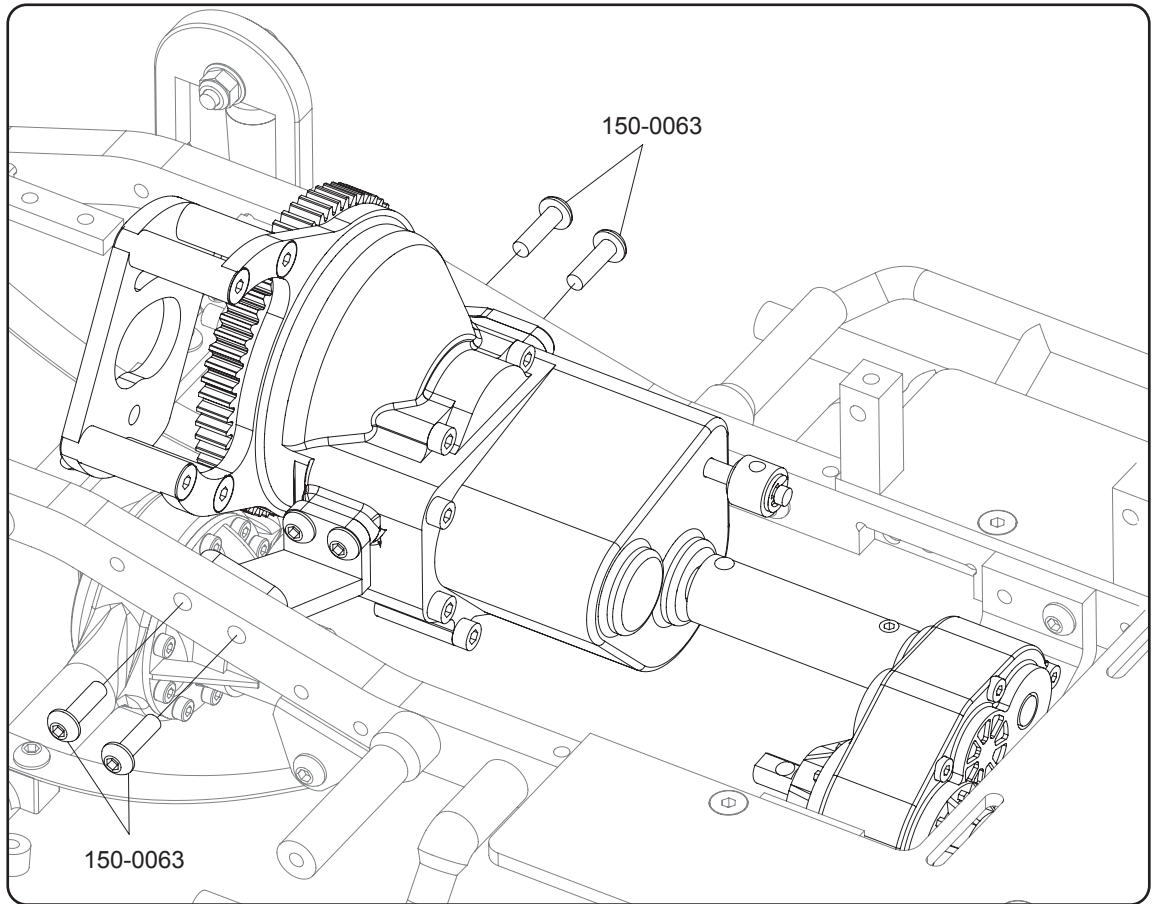


RC4WD
Step 30

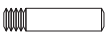


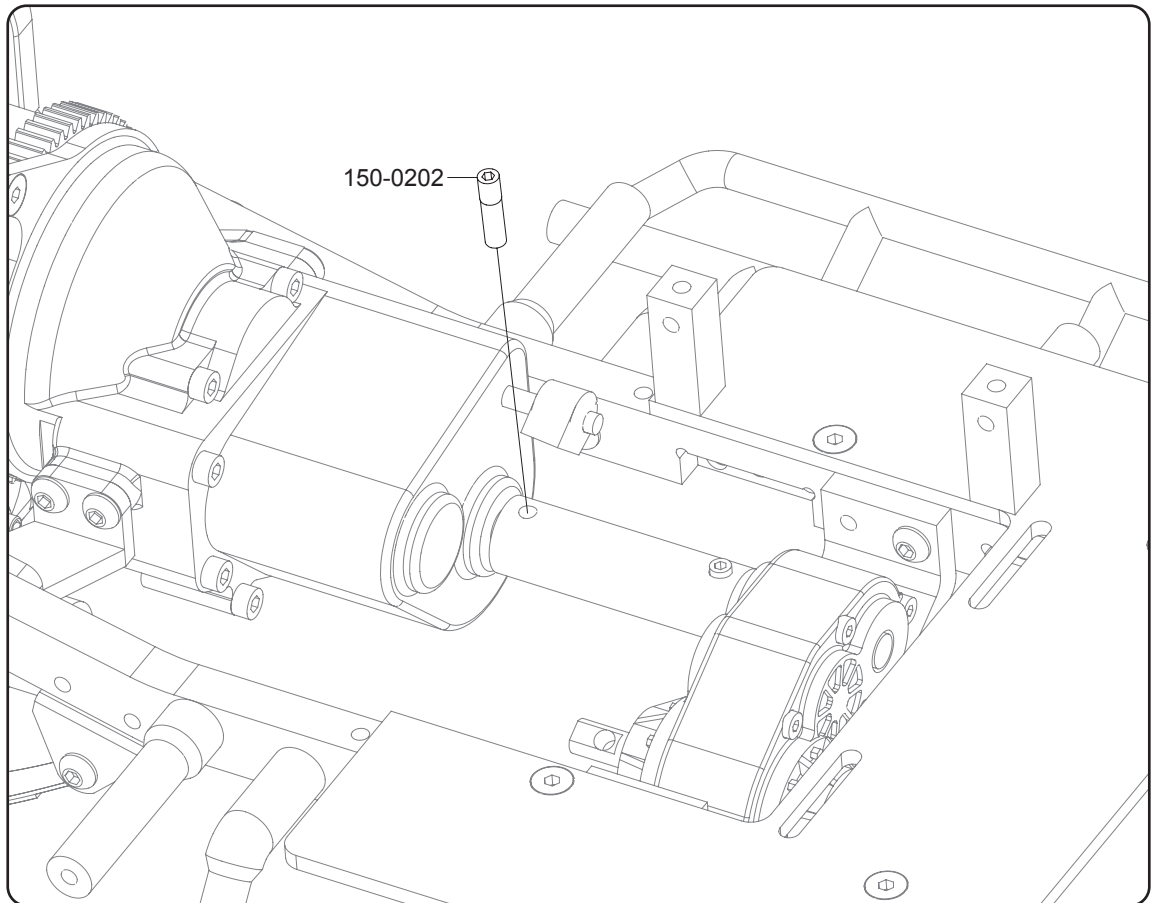
RC4WD
Step 31

 X4
150-0063
M3 x 10mm BHCS

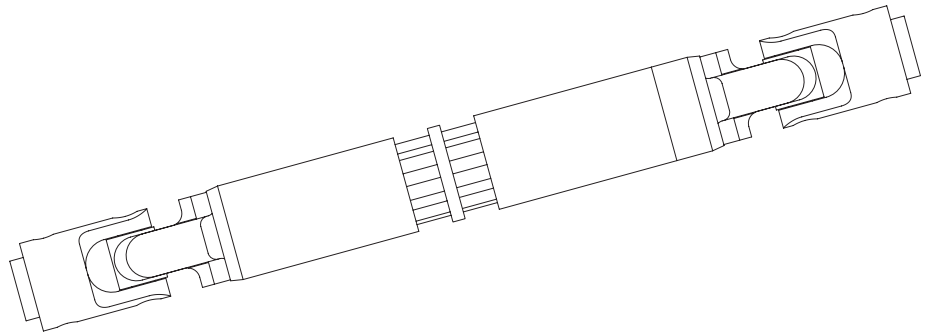


RC4WD
Step 32

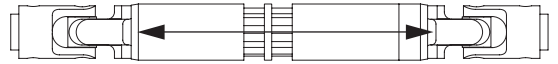
 X1
150-0202
M3 Drive Shaft Pin



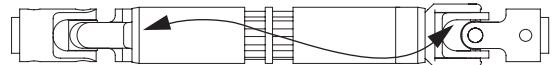
RC4WD
Step 33



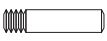
CORRECT ALIGNMENT

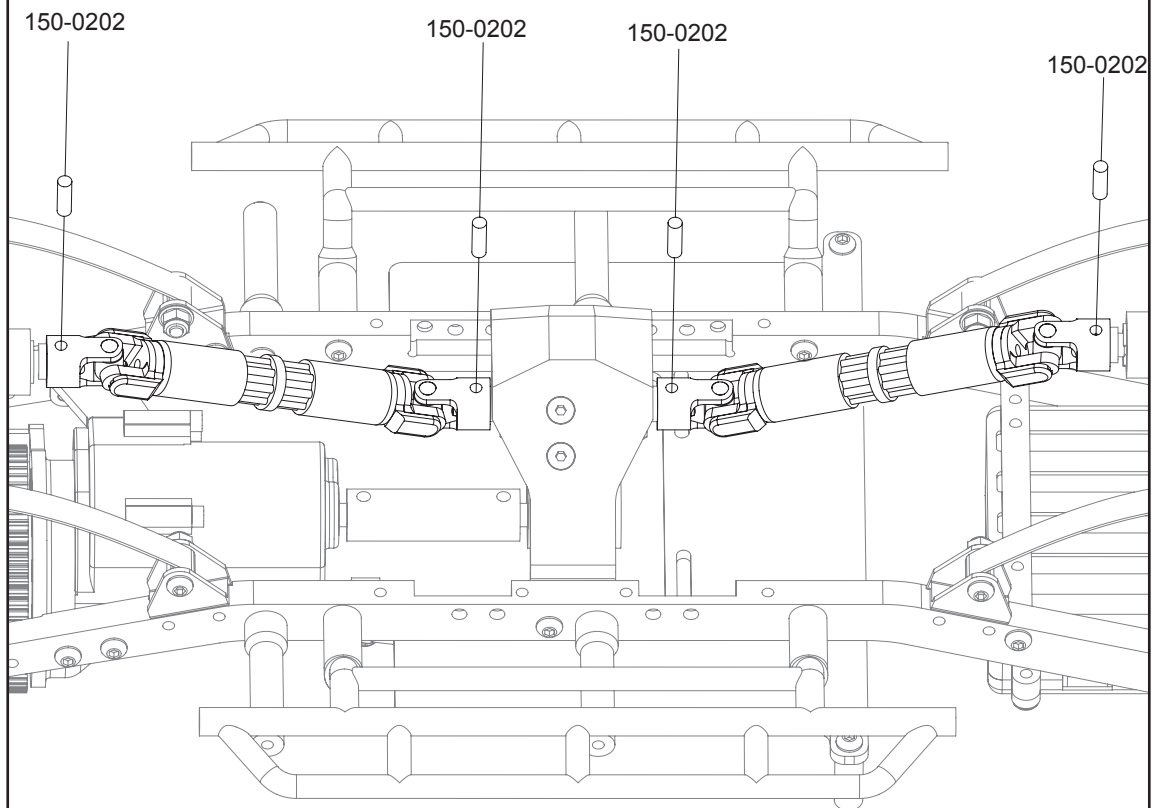


INCORRECT ALIGNMENT



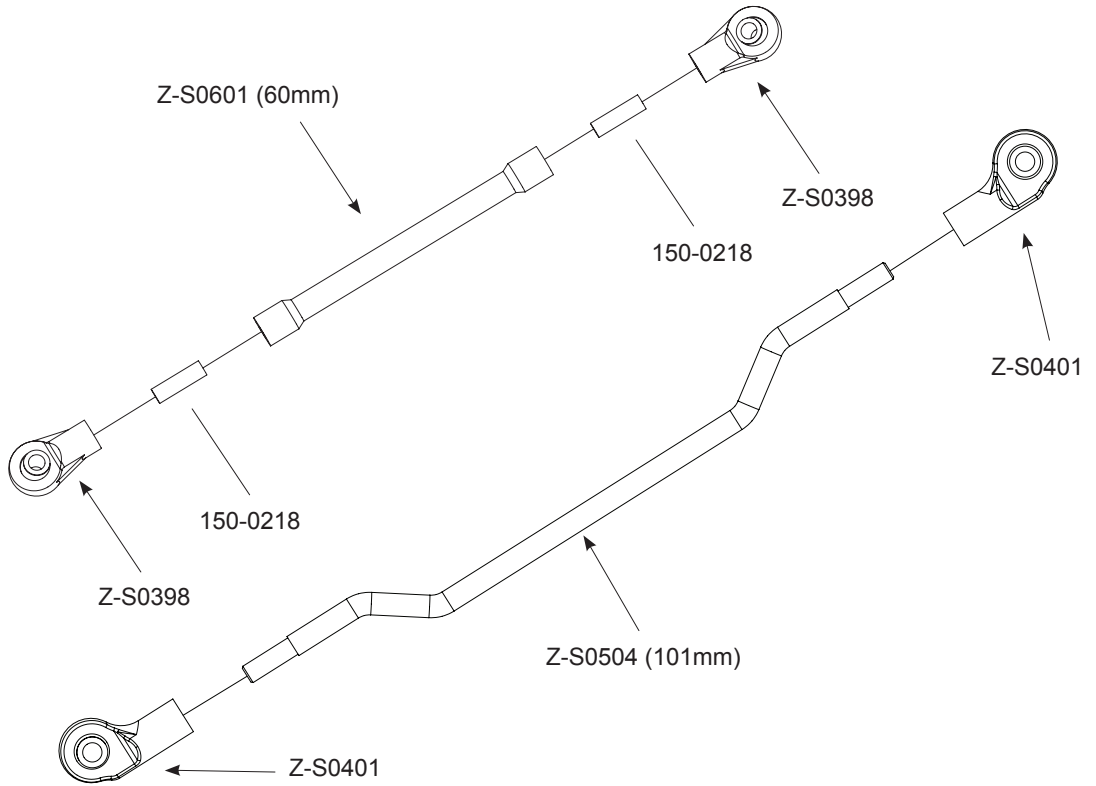
RC4WD
Step 34

 X4
150-0202
M3 Drive Shaft Pin





RC4WD Step 35

 X2
 150-0218
 M3 x 10mm
 Set Screw

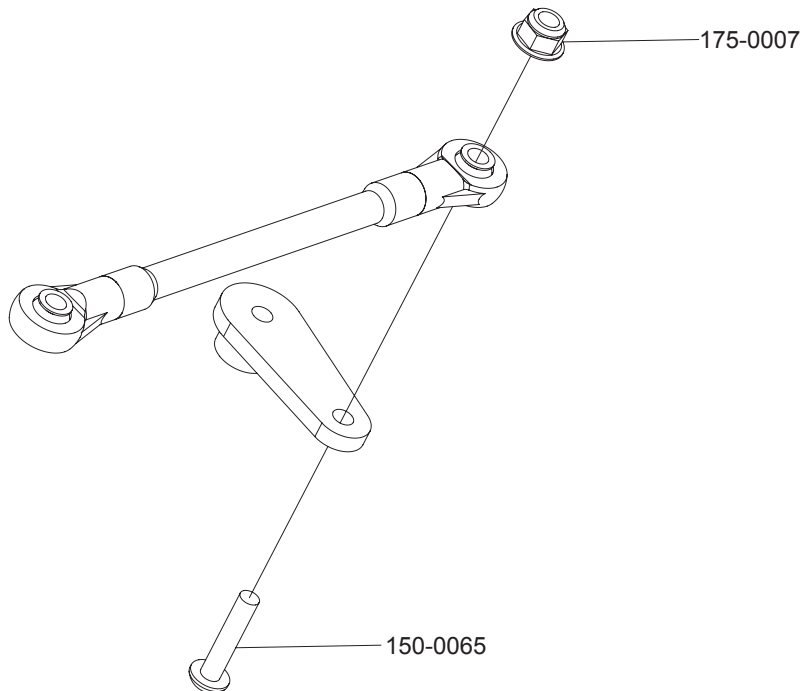


RC4WD Step 36

 X1
 150-0065
 M3 x 14mm BHCS

 X1
 175-0007
 M3 Black Lock Nut

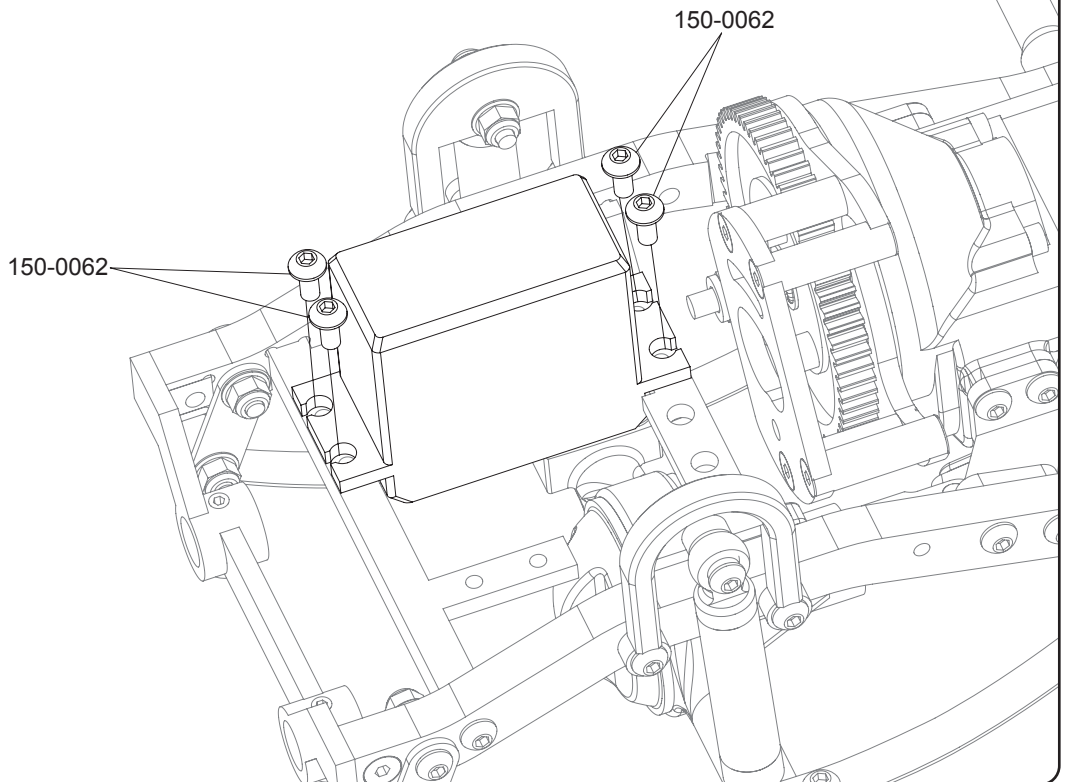
*servo arm not included.



RC4WD
Step 37


-  X4
- 150-0062
- M3 x 8mm BHCS

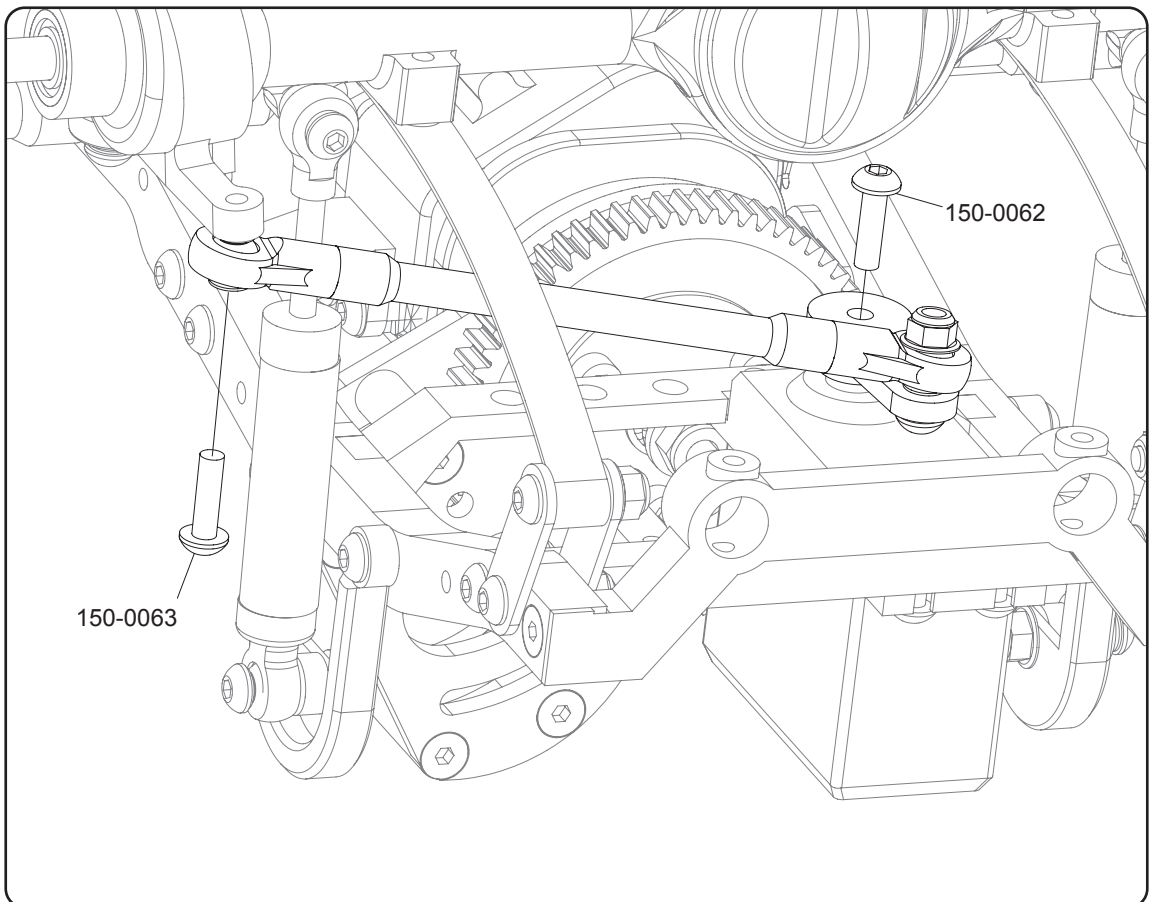
*Servo not included.




RC4WD
Step 38

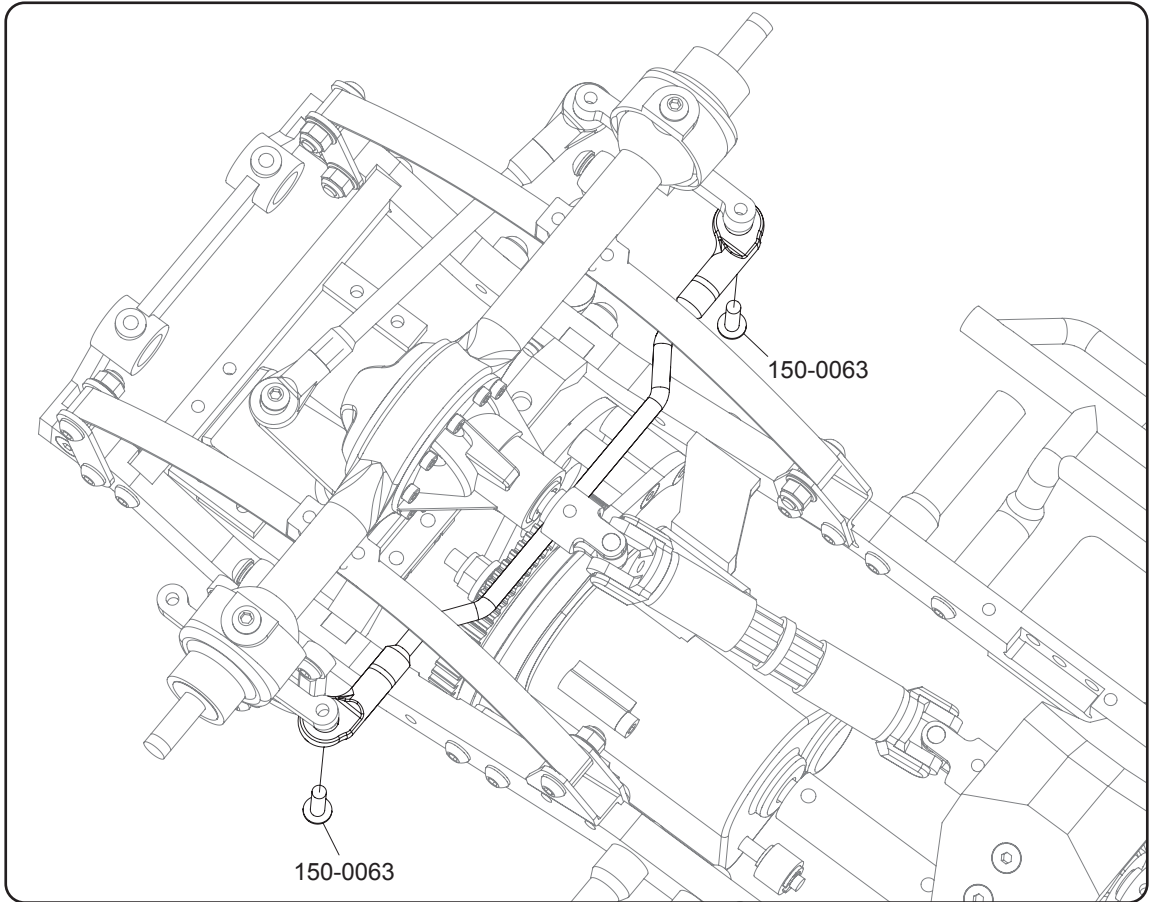
-  X1
- 150-0062
- M3 x 8mm BHCS

-  X1
- 150-0063
- M3 x 10mm BHCS




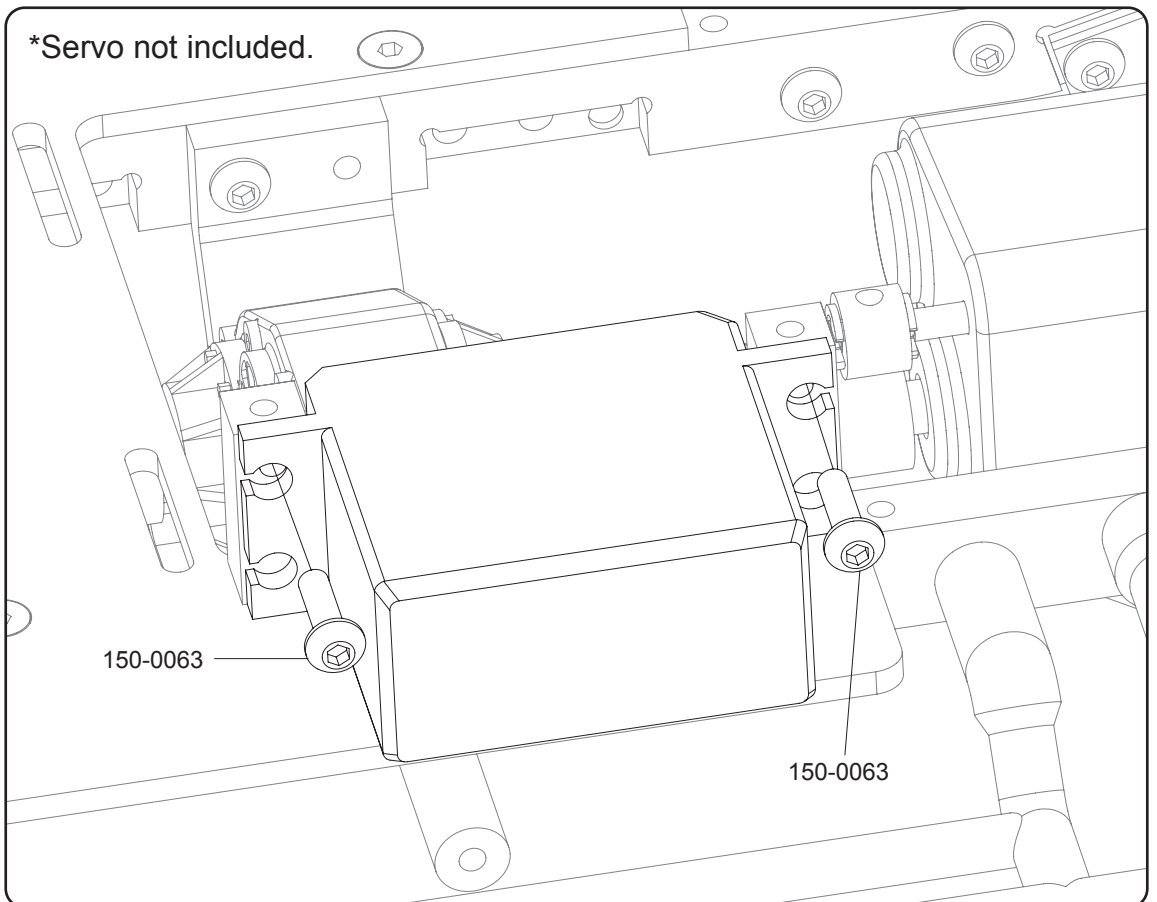
RC4WD
Step 39

 X2
150-0063
M3 x 10mm BHCS



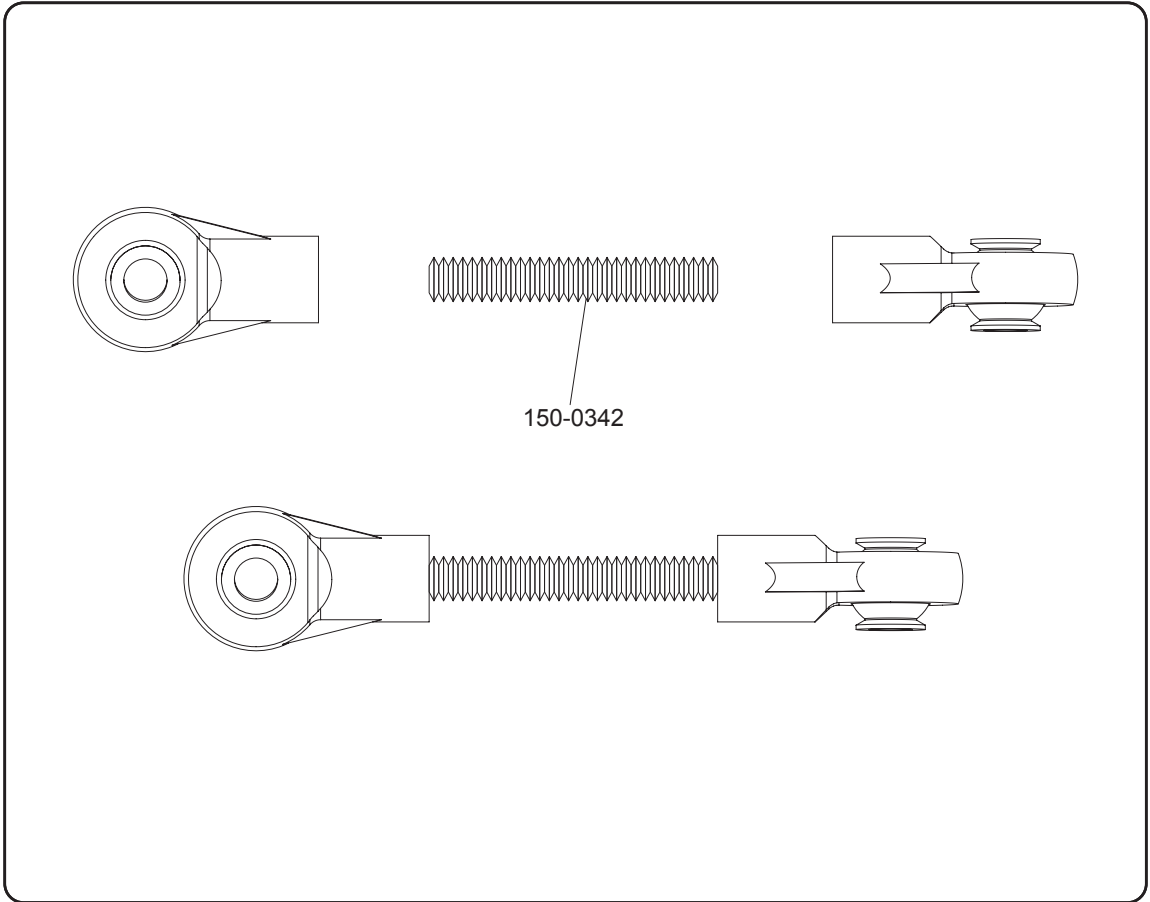
RC4WD
Step 40

 X2
150-0063
M3 x 10mm BHCS




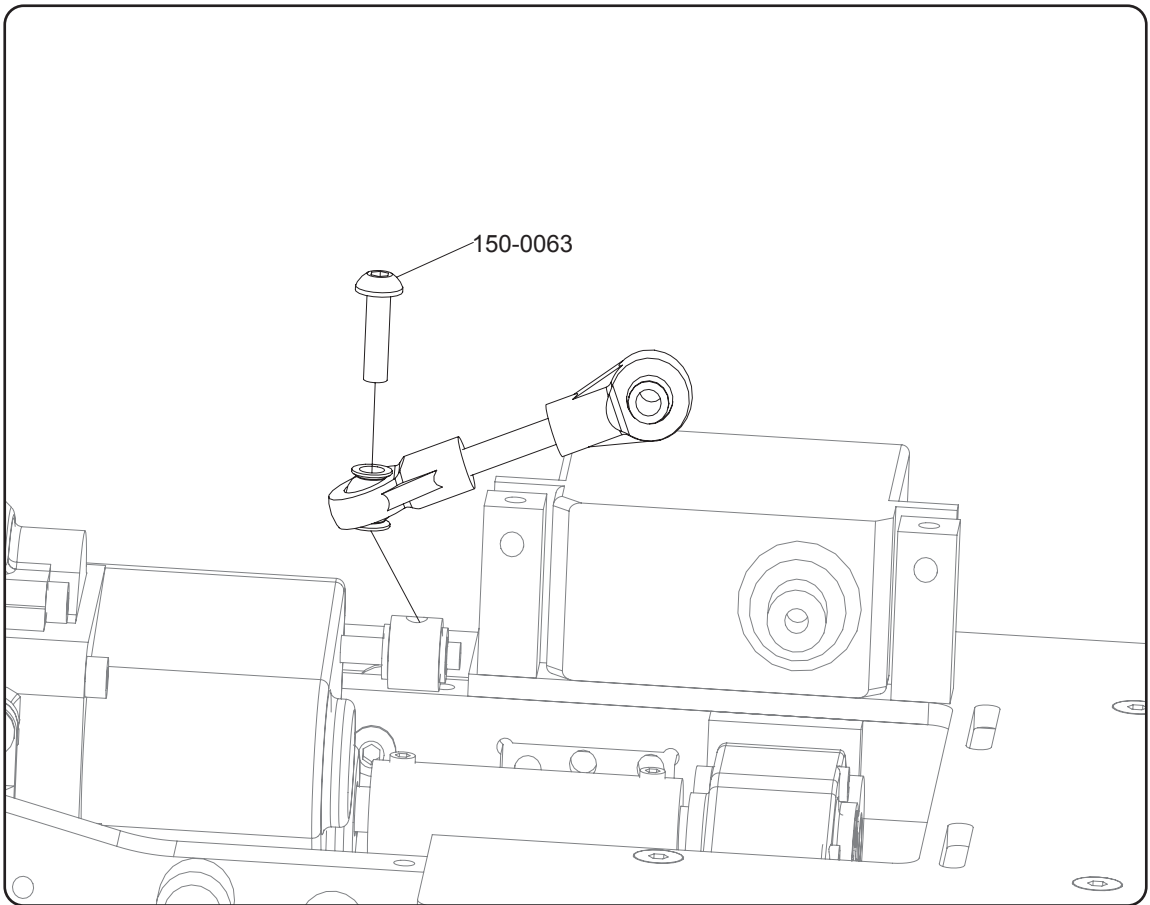
RC4WD
Step 41

 X1
150-0342
M3 x 20mm
Set Screw





RC4WD
Step 42


 X1
150-0063
M3 x 10mm BHCS

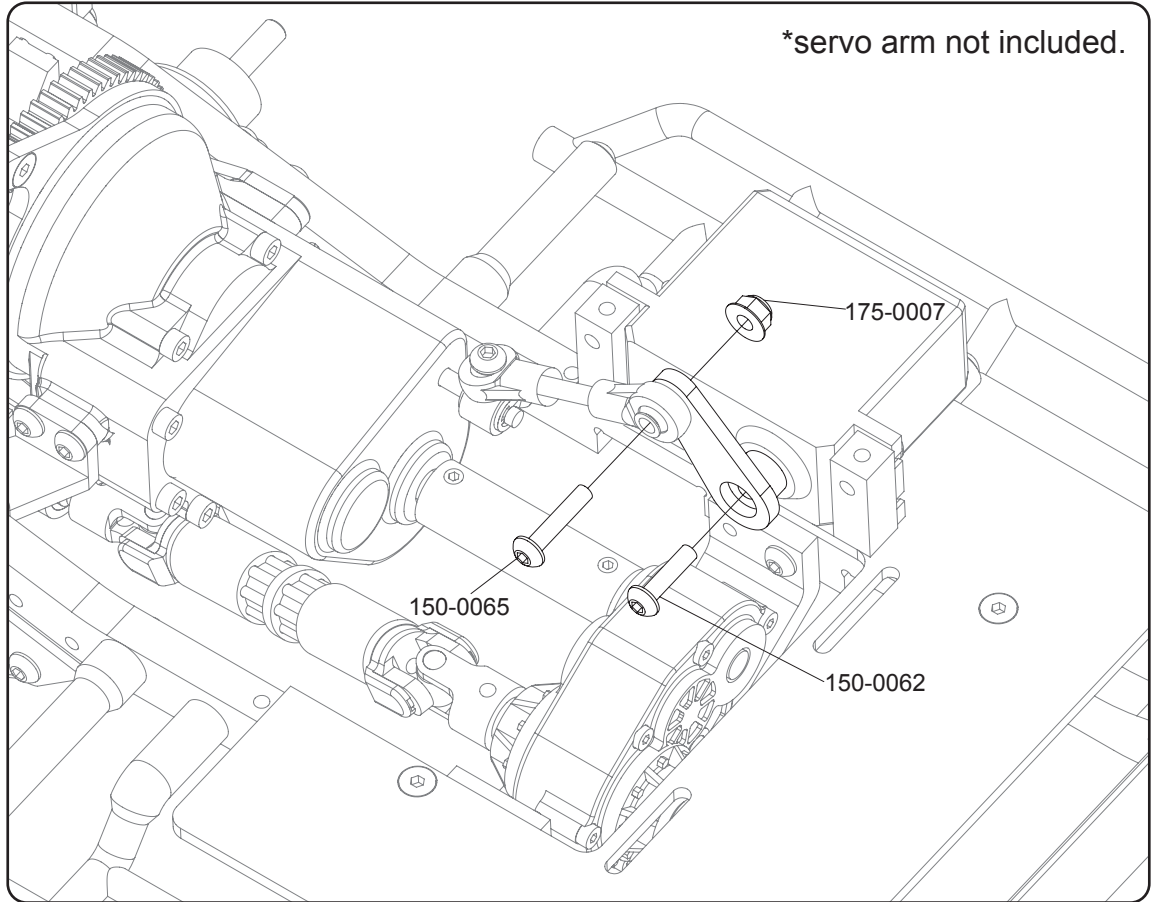


RC4WD
Step 43

 X1
150-0065
M3 x 14mm BHCS

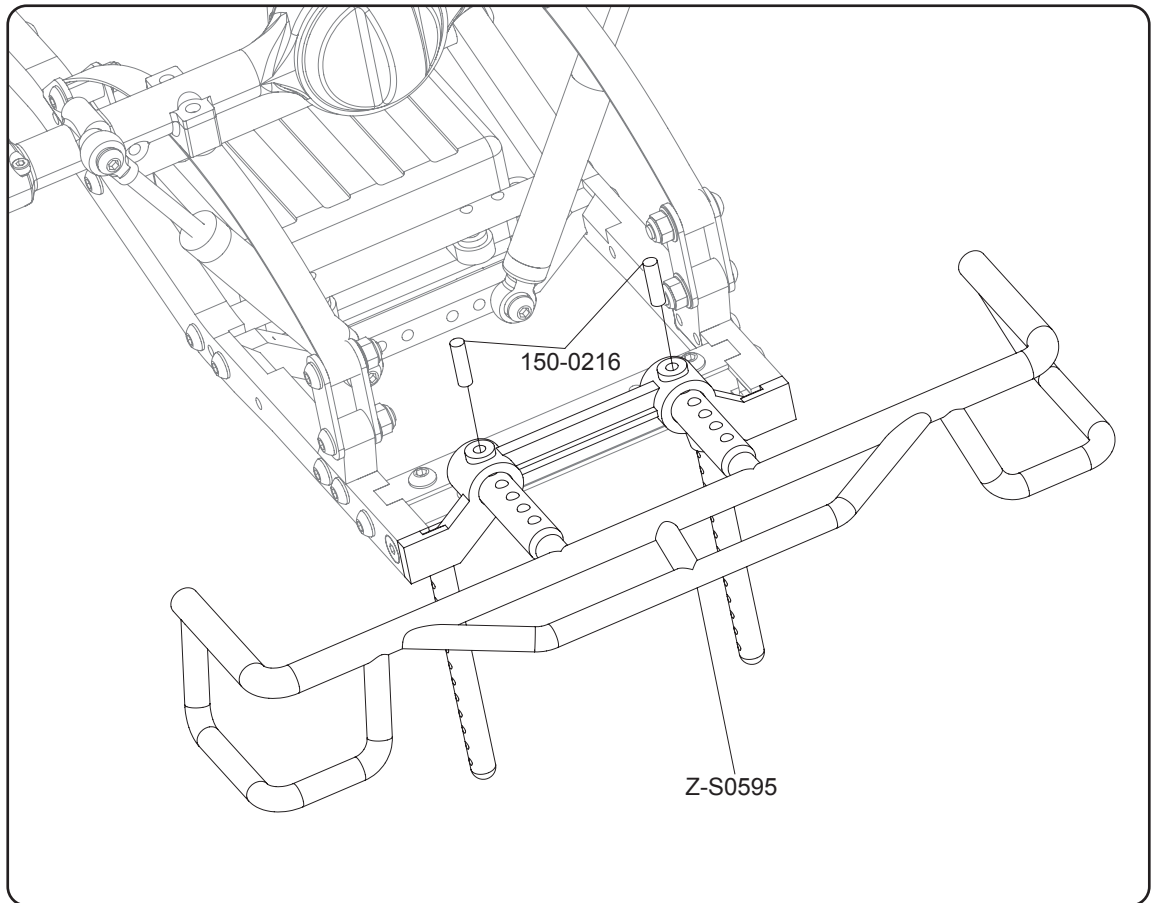
 X1
175-0007
M3 Black Lock Nut

 X1
150-0062
M3 x 8mm BHCS



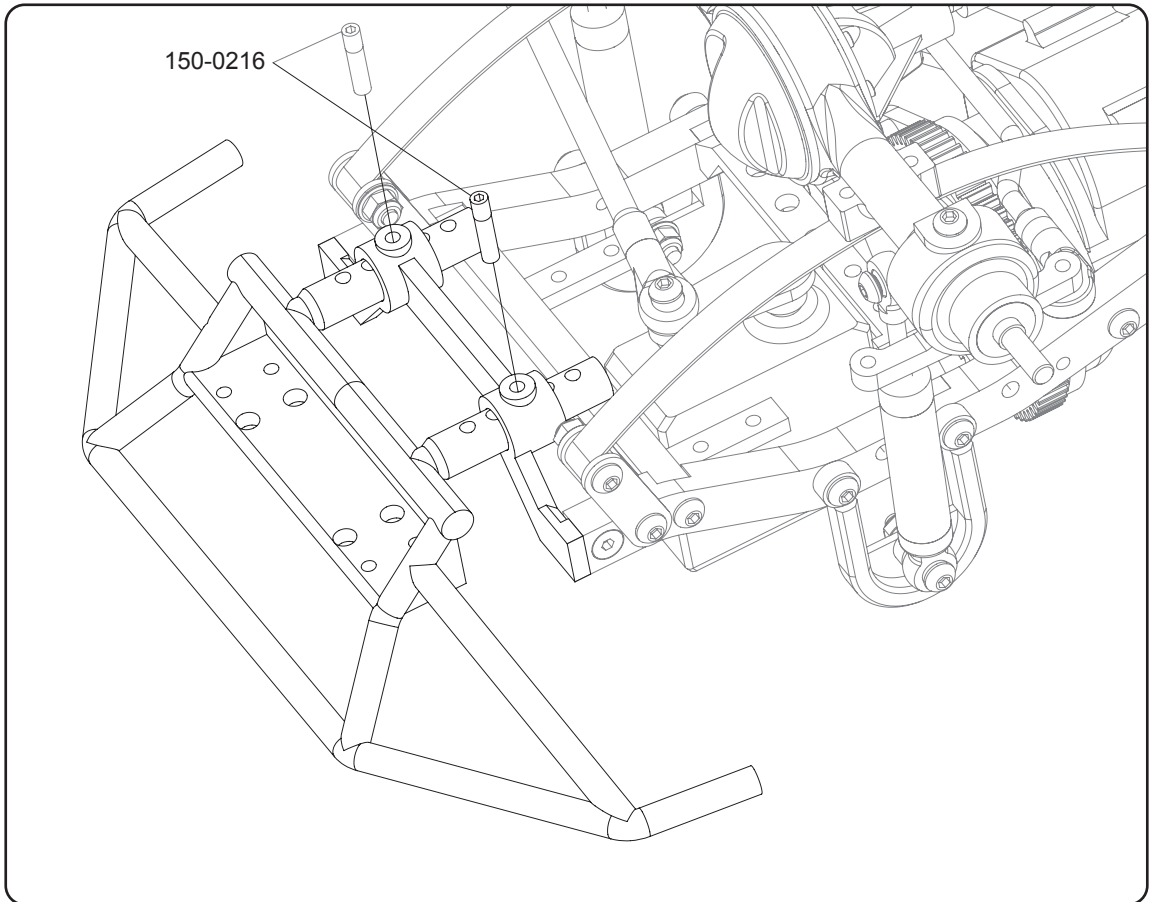
RC4WD
Step 44

 X2
150-0216
M3 x 15mm
Set Screw



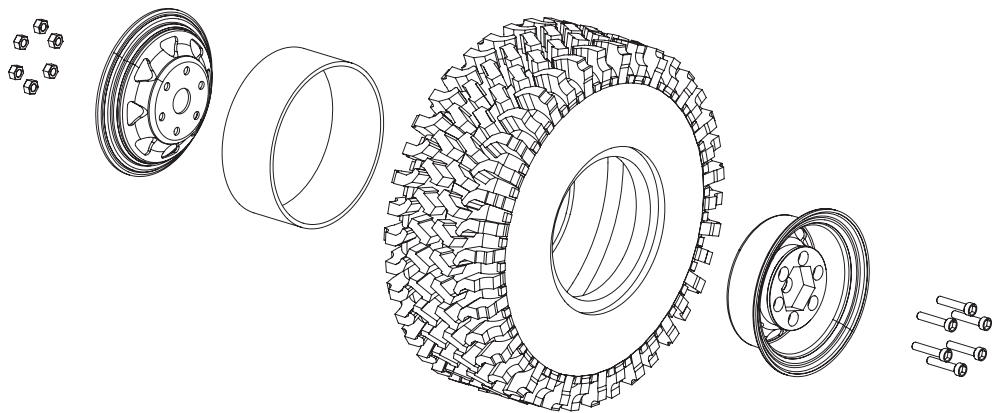
RC4WD
Step 45

 X2
150-0216
M3 x 15mm
Set Screw



RC4WD
Step 46

Wheel disassembly shown.



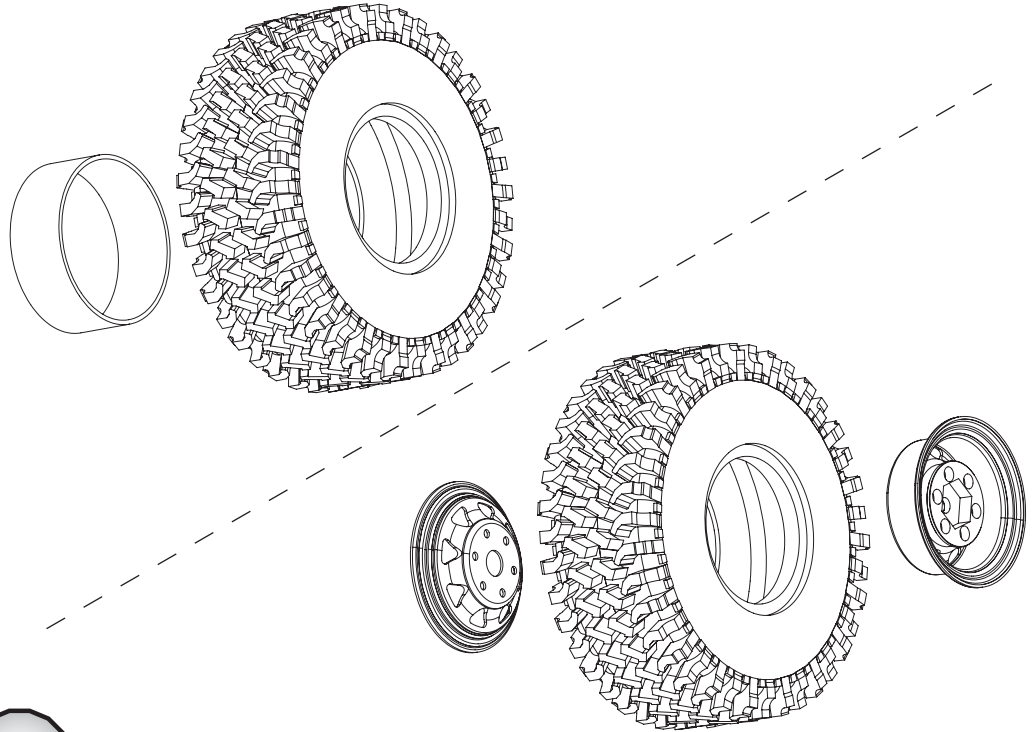
x4



Ensure the front and back wheel spokes align with each other.

RC4WD
Step 47


Insert internal beadlock ring into tire.





x4

Install wheel front and back. Careful of the wheels alignment to get the look.

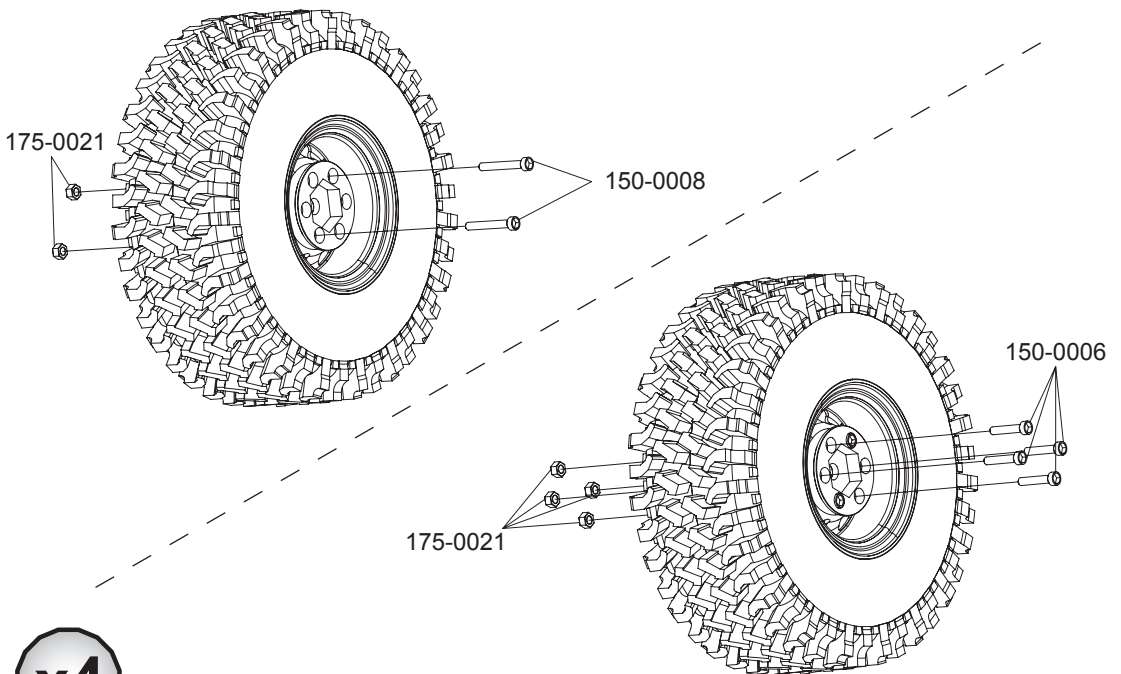
RC4WD
Step 48

 X2
150-0008
M2 x 14mm SHCS

 X24
150-0006
M2 x 10mm SHCS

 X24
175-0021
M2 Black Nut

Use the included longer hardware to help aid in tire and wheel installation. Be sure to slowly tighten the nuts on the longer hardware until you are able to begin installing the included shorter hardware.

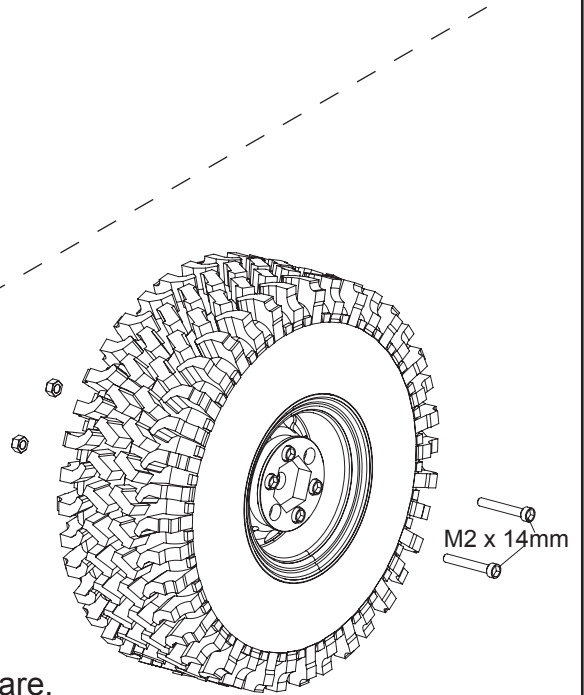
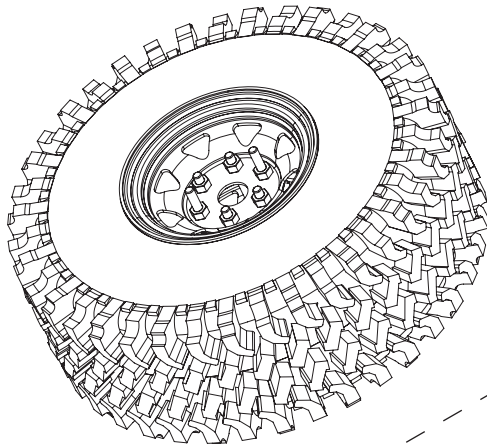


x4

Install the correct shorter length hardware into the remaining holes.

RC4WD
Step 49

Your wheel and tire should be fully seated like shown.

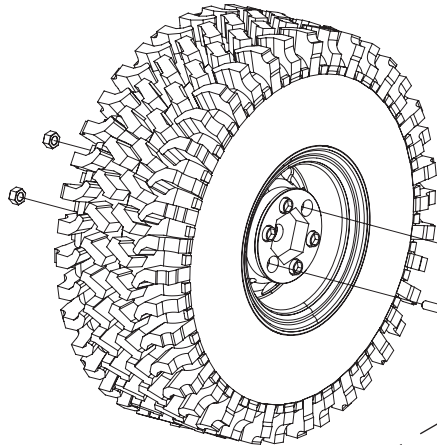


x4

Remove the longer hardware.

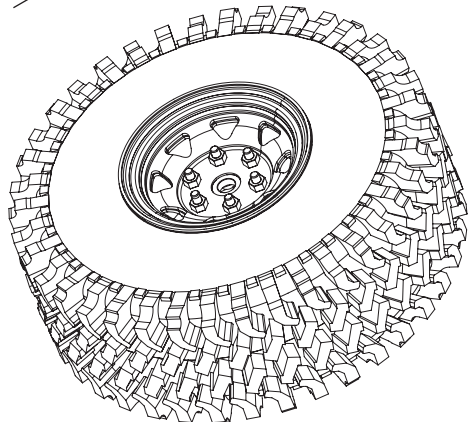
RC4WD
Step 50

Install the correct shorter hardware.



M2 x 10mm

x4



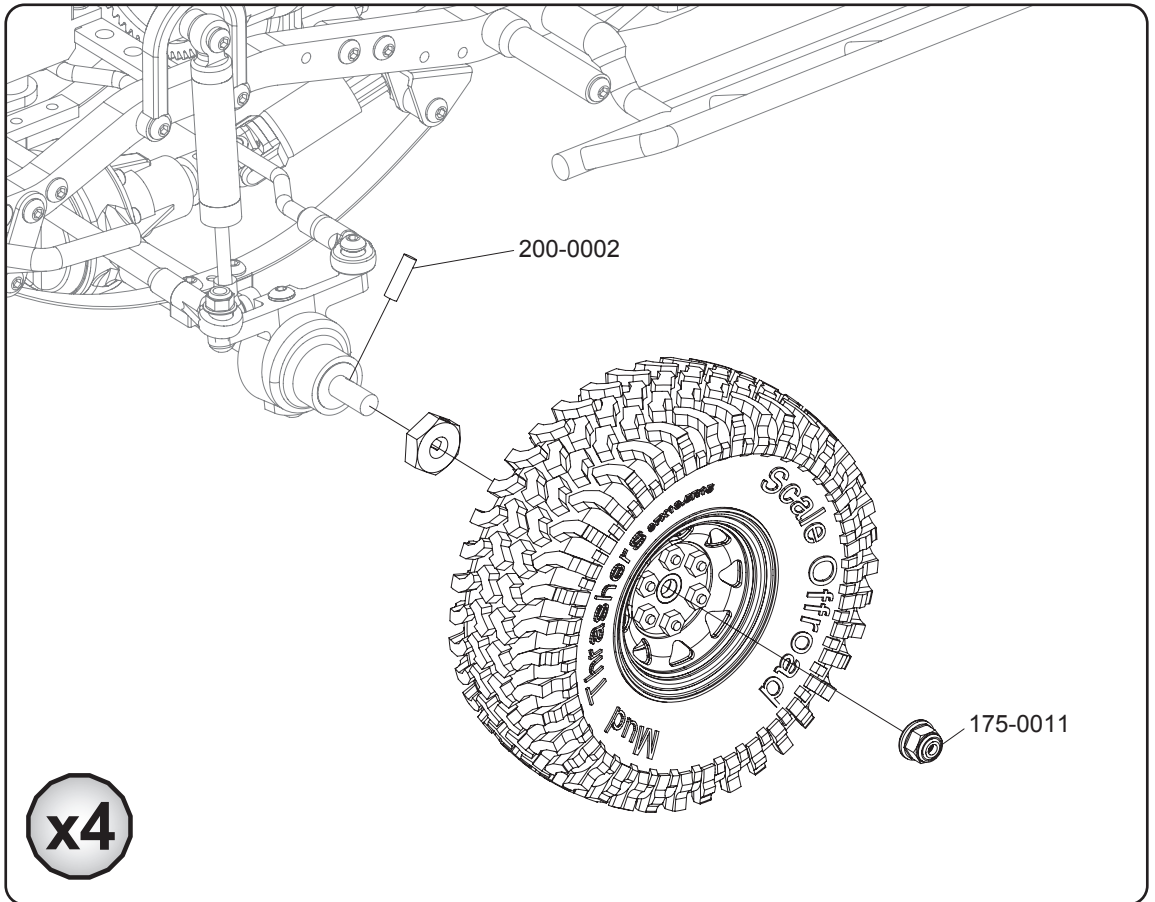
RC4WD
Step 51

— X4

200-0002
M2 X 10mm
Axle Pin



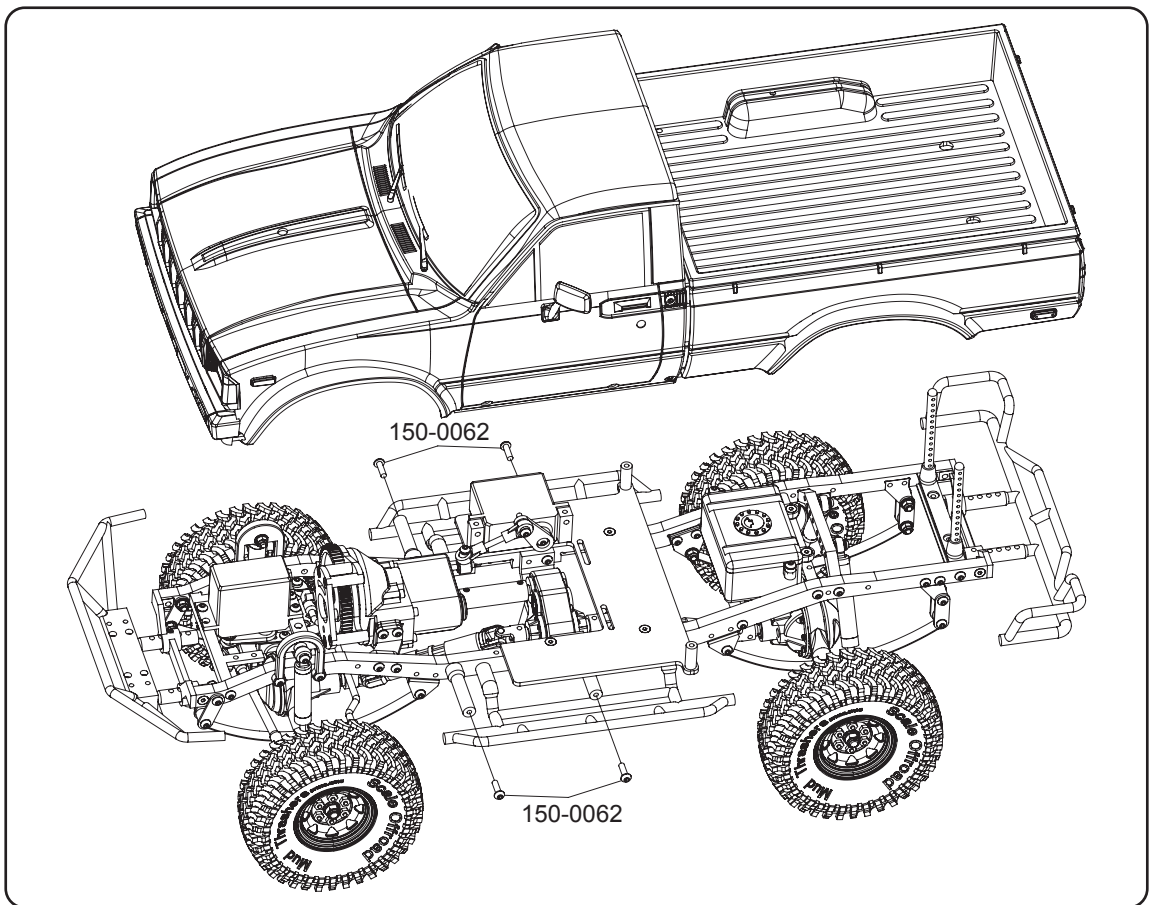
X4
175-0011
M4 Flanged Lock Nut

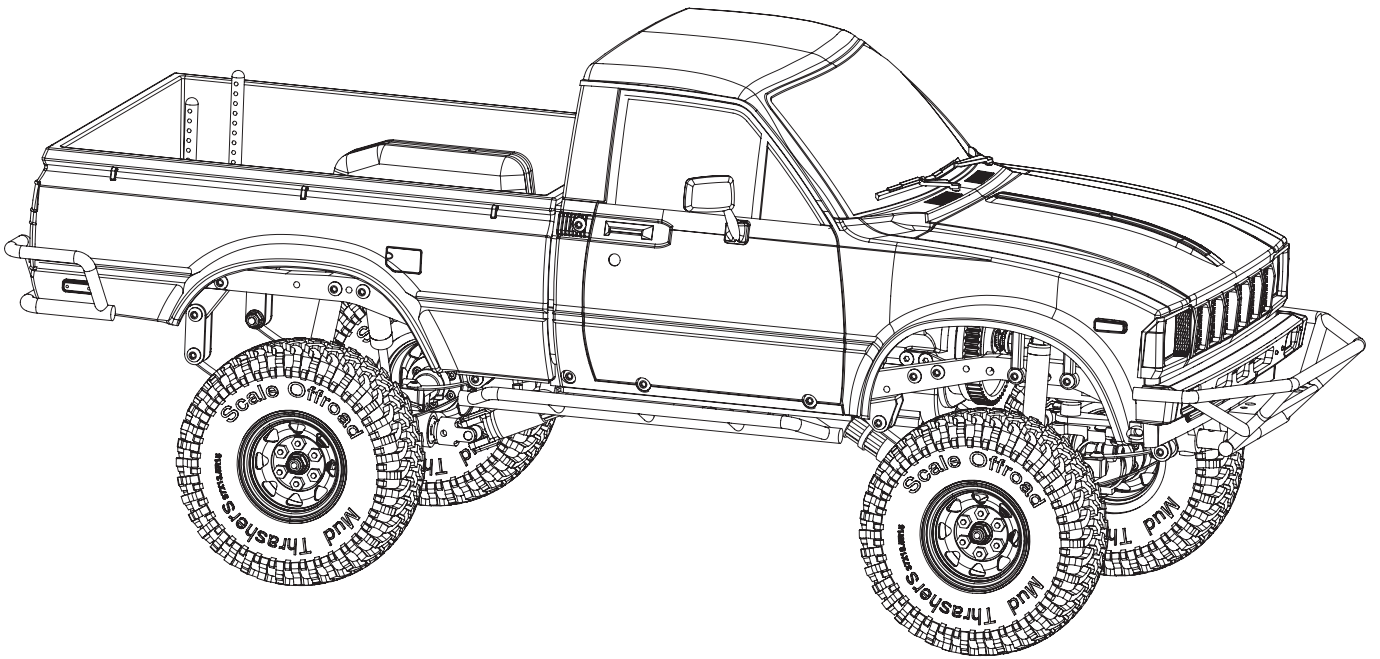
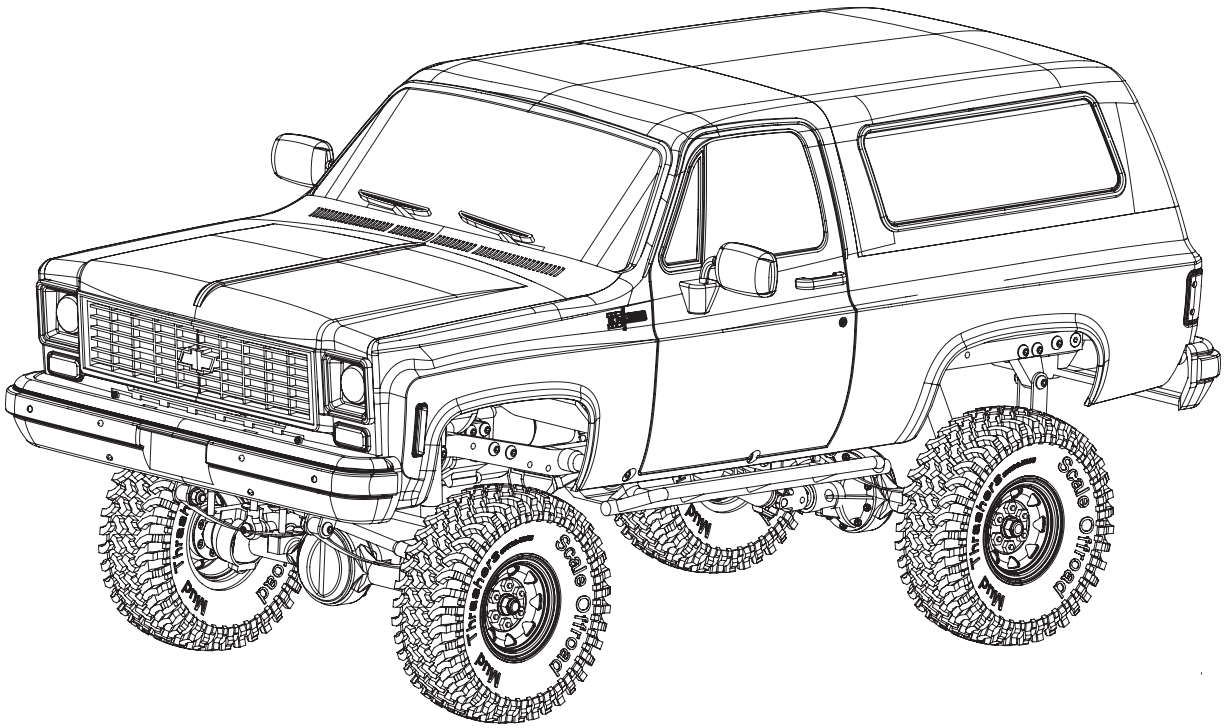


RC4WD
Step 52



X4
150-0062
M3 x 8mm BHCS





Drive it like you built it!



Spare Parts

Z-A0080	Yota II Ultimate Scale Cast Axle (Front)
Z-A0081	Yota II Ultimate Scale Cast Axle (Rear)
Z-B0029	TF2 Plastic Body Posts
Z-C0018	Trail Finder 2 Chassis Set
Z-D0001	The Ultimate Scale Shocks 90mm (Silver)
Z-D0004	The Ultimate Scale Shocks 70mm (Silver)
Z-S0047	Leaf Spring Shackles & Mounts Kit
Z-S0398	M3 Mini Plastic Rod End
Z-S0401	M3 Offset Short Plastic Rod End
Z-S0518	Soft Leaf Springs for Trail Finder 2
Z-S0592	Fuel Cell Radio Box
Z-S0593	TF2 Bumper Mounts
Z-S0594	TF2 Front Tube Bumper
Z-S0595	TF2 Rear Tube Bumper
Z-S0596	RC4WD Marlin Crawler Side Plastic Sliders for Trail Finder 2
Z-S0597	Shock Hoops for Trail Finder 2 Chassis
Z-S0598	Transfer Case mount for Trail Finder 2 Chassis
Z-S0599	Metal Drive Coupling for Trail Finder 2
Z-S0600	2mm Black Spacer with M3 Hole
Z-S0677	R3 Tranny Mounts For Trail Finder 2
Z-S0678	Electronics Top Plate w/Servo Mounts For Trail Finder 2
Z-S1732	RC4WD Assembly Combo Pack (Oil, Thread Lock, Grease)
Z-T0100	Mud Thrashers 1.55" Off-Road Tires
Z-U0024	Hammer Transfer Case
Z-U0025	R3 Scale 2 Speed Transmission
Z-W0035	Stamped Steel 1.55" Beadlock Wheels (White)

Recommended Equipment

Z-E0030	Servo Extension Wire 150mm
Z-R0006	RC4WD XR4 4-Channel 2.4 GHz Transmitter/Receiver





Optional Parts

Z-A0096	K44 Ultimate Scale Cast Rear Axle
Z-A0101	K44 Ultimate Scale Cast Front Axle
Z-B0032	Scale Bench Seat for Mojave Body
Z-D0012	RC4WD Superlift Superide 80mm Scale Shock Absorbers
Z-D0015	RC4WD Superlift Superide 90mm Scale Shock Absorbers
Z-D0032	RC4WD Superlift Superide 100mm Scale Shock Absorbers
Z-D0033	RC4WD King Off-Road Scale Dual Spring Shocks (90mm)
Z-D0034	RC4WD 70mm Old Man Emu Nitrocharger Sport Shocks by ARB
Z-D0035	RC4WD King Off-Road Scale Dual Spring Shocks (80mm)
Z-D0036	RC4WD 80mm Old Man Emu Nitrocharger Sport Shock by ARB
Z-D0038	RC4WD 90mm Old Man Emu Nitrocharger Sport Shocks by ARB
Z-E0003	540 Crawler Brushed Motor 55T
Z-E0004	540 Crawler Brushed Motor 45T
Z-E0005	540 Crawler Brushed Motor 35T
Z-E0016	LED Basic Lighting System For Mojave Body Set
Z-E0041	RC4WD Brushed 45T Boost Rebuildable Crawler 540 Motor
Z-E0045	RC4WD Brushed 35T Boost Rebuildable Crawler 540 Motor
Z-E0052	RC4WD KC HiLiTES 1/10 C Series High Performance LED Light Bar (20MM / 0.75")
Z-E0064	RC4WD 1/10 Baja Designs S8 LED Light Bar (100mm)
Z-E0066	RC4WD 1/10 Baja Designs Squadron Pro LED Lights
Z-E0067	540 Crawler Brushed Motor 27T
Z-E0069	RC4WD 1/8 Warn Zeon 10 Winch
Z-E0075	RC4WD 1/10 Warn 8274 Winch
Z-E0076	RC4WD 1/10 Baja Designs S8 LED Light Bar (120mm)
Z-G0056	Replacement Gears for R3 2 Speed Transmission
Z-G0059	Helical Gear Set for 1/10 Yota Axle
Z-G0064	56T 32P Delrin Spur Gear
Z-G0065	12T 32P Hardened Steel Pinion Gear
Z-G0068	52T 32P Delrin Spur Gear
Z-H0003	BigDog 1/10 Dual Axle Scale Car/Truck Trailer
Z-H0006	BigDog 1/10 Dual Axle Scale Boat Trailer
Z-H0011	BigDog 1/10 Triple Axle Scale Boat Trailer
Z-S0003	#3 Aluminum Bumper Mount For Trail Finder 2
Z-S0004	#2 Aluminum Bumper Mount For Trail Finder 2
Z-S0006	#1 Aluminum Bumper Mount For Trail Finder 2
Z-S0056	Tough Armor Side Steel Sliders for Trail Finder 2
Z-S0068	U-Bolts Kit for Yota Axle
Z-S0075	King Kong Mini Tow Shackle
Z-S0093	King Kong Tow Shackle
Z-S0276	Offroad 1/10 Scale Sand Ladders
Z-S0358	Truck Bed Mount Angled Spare Tire Carrier
Z-S0522	Punisher Shaft II (90mm - 120mm / 3.54" - 4.72") 5mm F-350 Hi-Lift
Z-S0565	3 Link Kit For Trail Finder 2 Front Axle w/Panhard Setup
Z-S0588	Chubby 6 TON Scale Jack Stands
Z-S0603	4 Link Kit For Trail Finder 2 Rear Axle
Z-S0682	Mojave Body Lift Kit for Trail Finder 2
Z-S0720	RC4WD 1/10 Warn Scale Manual Locking Hubs
Z-S0731	Chubby Mini 3 TON Scale Jack Stands
Z-S0753	RC4WD Marlin Crawlers Side Metal Sliders for Trail Finder 2
Z-S0756	RC4WD Drive Flange Wheel Nut Cover
Z-S0778	RC4WD Marlin Crawlers Front Steel Tube Bumper for Trail Finder 2





Z-S0822	Heavy Duty Metal Servo Arm 25t Futaba
Z-S1043	RC4WD 1/10 V8 Scale Engine
Z-S1089	RC4WD Wired Winch Control Unit
Z-S1092	RC4WD Warn 1/10 Wireless Remote/Receiver Winch Controller Set
Z-S1192	Front Inner Fender Set for Mojave / Hilux Body
Z-S1199	RC4WD Red Lubrication for Transmission & Axles
Z-S1239	Trail Finder 2 V8 Engine Mounts
Z-S1261	Rebuildable Super Punisher Shaft (100mm - 118mm / 3.94" - 4.65") 5mm Hole
Z-S1262	RC4WD Foldable Winch Anchor
Z-S1300	1/10 Sleeping Mat w/Straps (Green)
Z-S1317	RC4WD ARB 1/10 Fridge Freezer
Z-S1373	RC4WD Marlin Crawlers Rear Steel Tube Bumper for Trail Finder 2
Z-S1561	RC4WD Warn Rock Crawler Rear Bumper for Trail Finder 2
Z-S1571	RC4WD 1/10 Mini Warn 9.5cti Winch
Z-S1587	RC4WD Teraflex Revolver Z-Box for Trail Finder, F-350, Hilux, Tundra
Z-S1591	Punisher Shaft II (80mm - 100mm / 3.15" - 3.93") 5mm Hole
Z-S1618	RC4WD ARB Winch Strap Set
Z-S1619	1/12 Highway Traffic Cones
Z-S1627	Motor Mount for R4 Transmission
Z-S1779	Scale Garage Series 1/10 Oxygen Tank
Z-S1780	Scale Garage Series 1/10 Acetylene Tank and Welding Torch
Z-T0049	Rock Creepers 1.9" Scale Tires
Z-T0050	Mud Slingers 1.9" Tires
Z-T0053	Rock Crusher X/T 1.55" Scale Tires
Z-T0086	Prowler XS Scale 1.9" Tires
Z-T0119	RC4WD Dick Cepek FC-II 1.9" Tire
Z-T0124	RC4WD Dick Cepek Fun Country 1.55" Scale Tires
Z-T0132	RC4WD Dick Cepek Trail Country 1.7" Scale Tires
Z-T0150	RC4WD Goodyear Wrangler Duratrac 1.9" Scale Tires
Z-W0027	RC4WD Dick Cepek Gun Metal 7 1.9" Internal Beadlock Wheels
Z-W0075	1.9" Landies Internal Beadlock Wheels
Z-W0080	RC4WD Dick Cepek DC-2 1.9" Internal Beadlock Wheels
Z-W0140	RC4WD Raceline Monster 1.9" Beadlock Wheels
Z-W0174	RC4WD Raceline Monster 2.2" Beadlock Wheels
Z-W0204	RC4WD Toyo 1.9" Beadlock Wheels
Z-W0205	RC4WD Raceline Havoc 1.55" Beadlock Wheels
Z-W0208	OEM Stamped Steel 1.9" Beadlock Wheels (White)
Z-W0212	OEM Stamped Steel 1.9" Beadlock Wheels (Plain)
Z-W0238	RC4WD Mickey Thompson Street Comp SC-5 1.9" Beadlock Wheels (Hyper Silver)
Z-W0242	5 Lug Deep Dish Wagon 1.9" Steel Stamped Beadlock Wheels (White)
Z-W0243	5 Lug Deep Dish Wagon 1.9" Steel Stamped Beadlock Wheels (Black)
Z-W0244	5 Lug Deep Dish Wagon 1.9" Steel Stamped Beadlock Wheels (Plain)
Z-W0249	RC4WD Mickey Thompson MT Metal Series MM-164M 1.9" Wheels
VVV-C0007	1/10 Metal Emblem for Tamiya Hilux
VVV-C0107	Steel Push Bar Front Bumper for Trail Finder 2
VVV-C0108	Steel Tube Rollbar Rack for TF2 Mojave (B)
VVV-C0109	Steel Tube Rear Bumper for Trail Finder 2
VVV-C0207	Tonneau Cover for RC4WD Mojave II
VVV-C0212	Steel Rear Bumper for RC4WD Trail Finder 2 (Style B)
VVV-C0214	1/10 Round IPF Lights w/LED
VVV-C0219	Rough Stuff Metal Front Bumper for RC4WD Trail Finder 2 (Hella Round and IPF Square Lights)
VVV-C0229	1/10 Square IPF Lights w/LED
VVV-C0253	Rear Tube Bed for Trail Finder 2 w/Mud Flaps (Black)





- VVV-C0254 Rear Tube Bed for Trail Finder 2 w/Mud Flaps & Lights (Black)
- VVV-C0255 Rear Tube Bed for Trail Finder 2 w/Mud Flaps & Lights (Red)
- VVV-C0428 Metal Exhaust for Mojave II 2/4 Door Body Set
- VVV-C0429 Rear Mud Flaps for Mojave II 2/4 Door Body Set
- VVV-C0430 Bed Soft Top w/Cage for RC4WD Mojave II Two Door (Black)
- VVV-C0434 Kangaroo Front Bumper w/Lights for Mojave II 2/4 Door Body Set (Black)
- VVV-C0435 Kangaroo Front Bumper w/Lights for Mojave II 2/4 Door Body Set (Sliver)
- VVV-S0054 Mega Truck Universal Shaft "Ver 2" (92mm - 130mm / 3.62" - 5.12")
- VVV-S0120 Ultra Scale Hardened Steel Driveshaft "Ver 2" (80mm - 110mm / 3.15" - 4.33")





www.rc4wd.com



RC4WD

720 N. Gateway St.
Visalia, CA 93291

Web: www.rc4wd.com - Email: support@rc4wd.com

100-0044